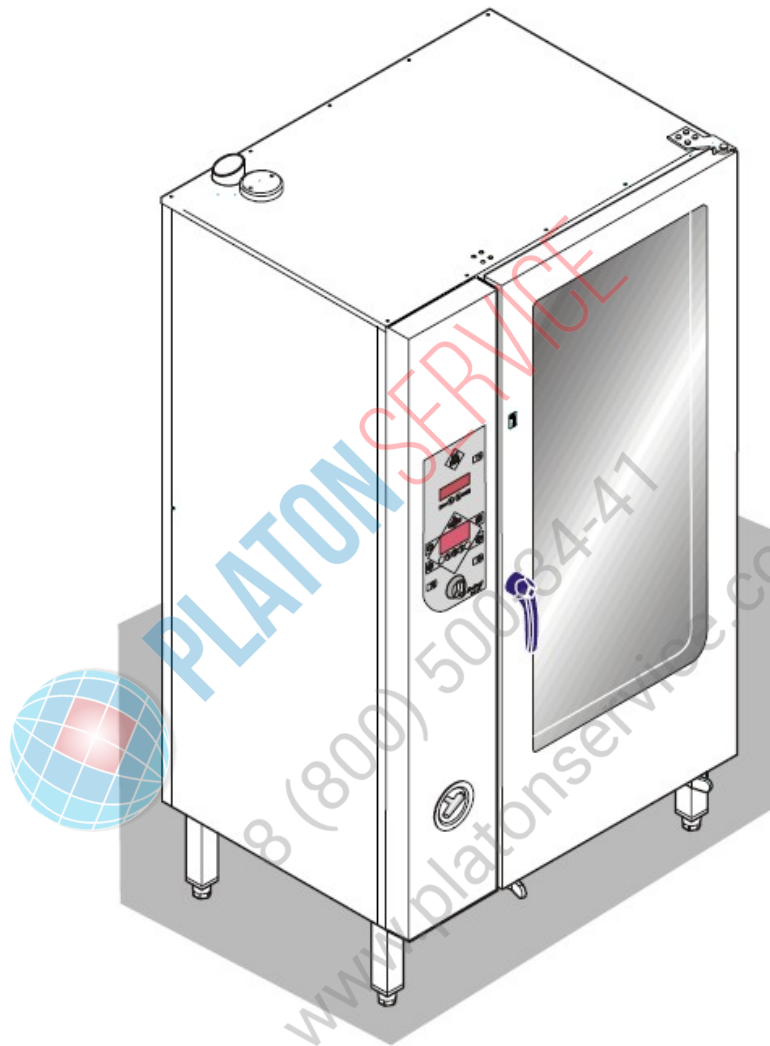


en

# Exploded drawings

## Electric and Gas Combisteamer Gold

European CE-Version



Model	Serial-No. / date	
	from	thru
<b>Software:</b>	Version 3.00	
HansDampf 6.1	07020584 / May 2007	-
HansDampf 6.2 Maxi	07020584 / May 2007	-
HansDampf 10.1	07020584 / May 2007	-
HansDampf 10.2 Maxi	07020584 / May 2007	-
HansDampf 20.1	07020584 / May 2007	-
HansDampf 20.2 Maxi	07020584 / May 2007	-

2011/10/12 SEV/KA

 **PLATON SERVICE**  
8 (800) 500-34-47  
[www.platonservice.com](http://www.platonservice.com)

## Contents

Front panel HD6.x Gold.....	6
Front panel HD10.x Gold.....	7
Electric assembly 3NPE 400V HD6.1.....	8
Electric assembly 3NPE 400V HD6.2.....	9
Electric assembly 3NPE 400V HD10.1.....	10
Electric assembly 3NPE 400V HD10.2.....	11
Gas assembly HD6.1.....	12
Gas assembly HD6.2.....	13
Gas assembly HD10.1.....	14
Gas assembly HD10.2.....	16
Core temperature probe HD6.x & HD10.x.....	18
Tube carrier box & handshower HD6.x & HD10.x Electric.....	19
Tube carrier box & handshower 6.x & 10.x Gas.....	20
Water assembly 50Hz HD6.x & HD10.x.....	21
Water assembly 60Hz HD6.x & HD10.x.....	22
Chassis HD6.x Electric Valid until S/N 11209574 (August 2011).....	23
Chassis HD6.x Electric Valid from S/N 11209575 (August 2011).....	24
Chassis HD10.x Electric Valid until S/N 11208882 (August 2011).....	25
Chassis HD10.x Electric Valid from S/N 11208883 (August 2011).....	26
Chassis HD6.x Gas Valid until S/N 11209861 (August 2011).....	27
Chassis HD6.x Gas Valid from S/N 11209862 (August 2011).....	28
Chassis HD10.x Gas Valid until S/N 11210676 (August 2011).....	29
Chassis HD10.x Gas Valid from S/N 11210677 (August 2011).....	30
Chassis door area HD6.x, right hand hinged (Electric).....	31
Chassis door area HD6.x, left hand hinged (Electric).....	32
Chassis door area HD10.x, right hand hinged (Electric).....	33
Chassis door area HD10.x, left hand hinged (Electric).....	34
Chassis door area HD6.x, right hand hinged (Gas).....	35
Chassis door area HD6.x, left hand hinged (Gas).....	36
Chassis door area HD10.x, right hand hinged (Gas).....	37
Chassis door area HD10.x, left hand hinged (Gas).....	38
Front panel HD20.x Gold.....	40
Electric assembly 3NPEAC 400V HD20.1.....	41
Electric assembly 3NPEAC 400V HD20.2.....	42
Gas assembly HD20.1.....	43
Gas assembly HD20.2.....	44
Core temperature probe HD20.x.....	45
Tube carrier box & handshower HD20.x (Electric).....	46
Tube carrier box & handshower HD20.x Gas.....	47
Water assembly 50Hz HD20.x.....	48
Water assembly 60Hz HD20.x.....	49
Chassis HD20.x (Electric) Valid until S/N 11212249 (October 2011).....	50
Chassis HD20.x (Electric) Valid from S/N 11212250 (October 2011).....	51
Chassis HD20.x (Gas) Valid until S/N 11212225 (October 2011).....	52
Chassis HD20.x (Gas) Valid from S/N 11212226 (October 2011).....	53
Chassis door area HD20.x, right hand hinged (Electric).....	54
Chassis door area HD20.x, left hand hinged (Electric).....	55
Chassis door area HD20.x, right hand hinged (Gas).....	56
Chassis door area HD20.x, left hand hinged (Gas).....	57

 **PLATON**SERVICE  
8 (800) 500-34-47  
[www.platonservice.com](http://www.platonservice.com)

## Exploded drawings 6.x & 10.x

Electric & Gas



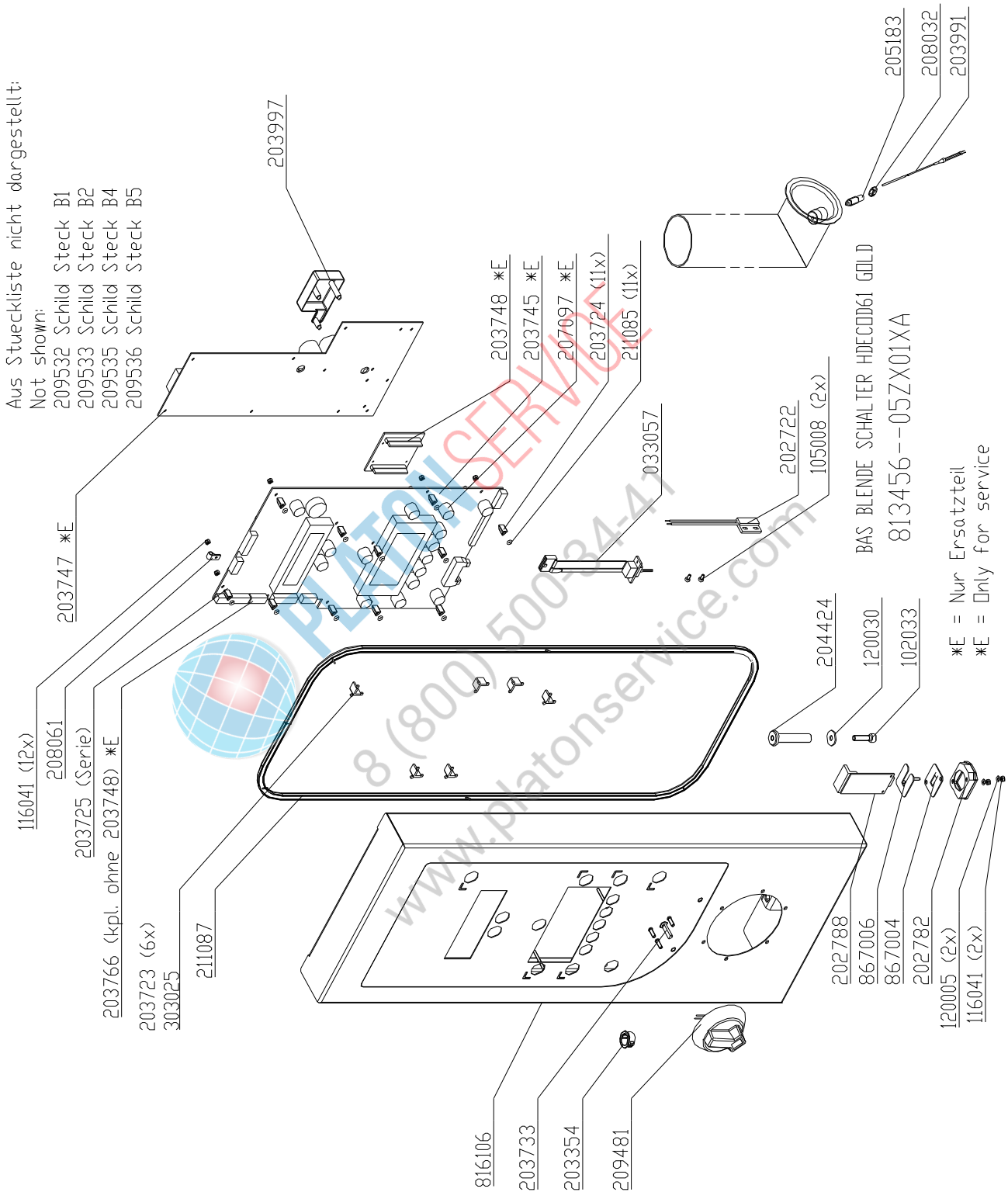
**PLATON SERVICE**

8 (800) 500-34-41

[www.platonservice.com](http://www.platonservice.com)

## Front panel HD6.x Gold

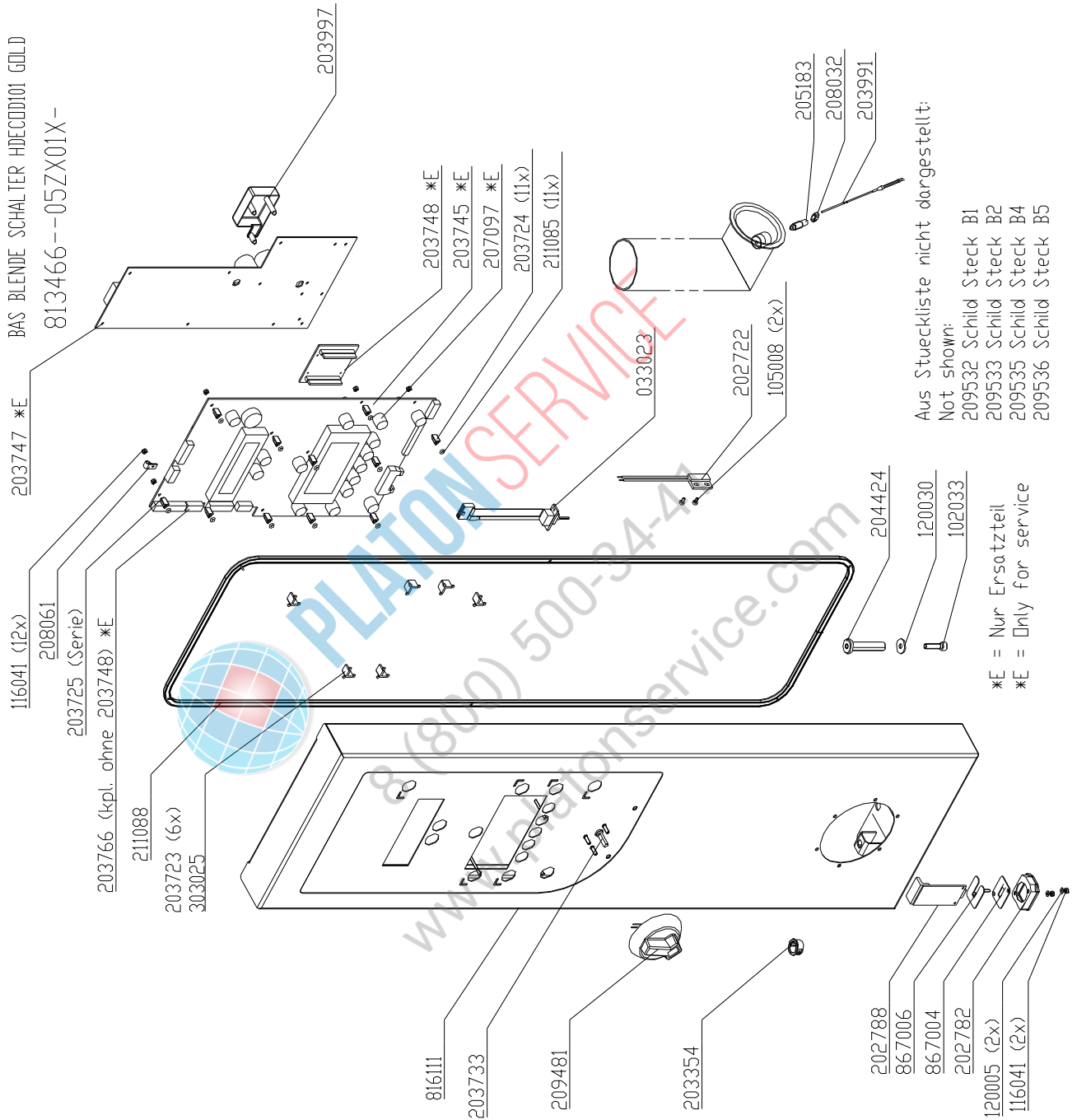
Valid from S/N 09021472 (Juli2009) with USB port



Until S/N 09021471 with serial port #033023 instead of USB port

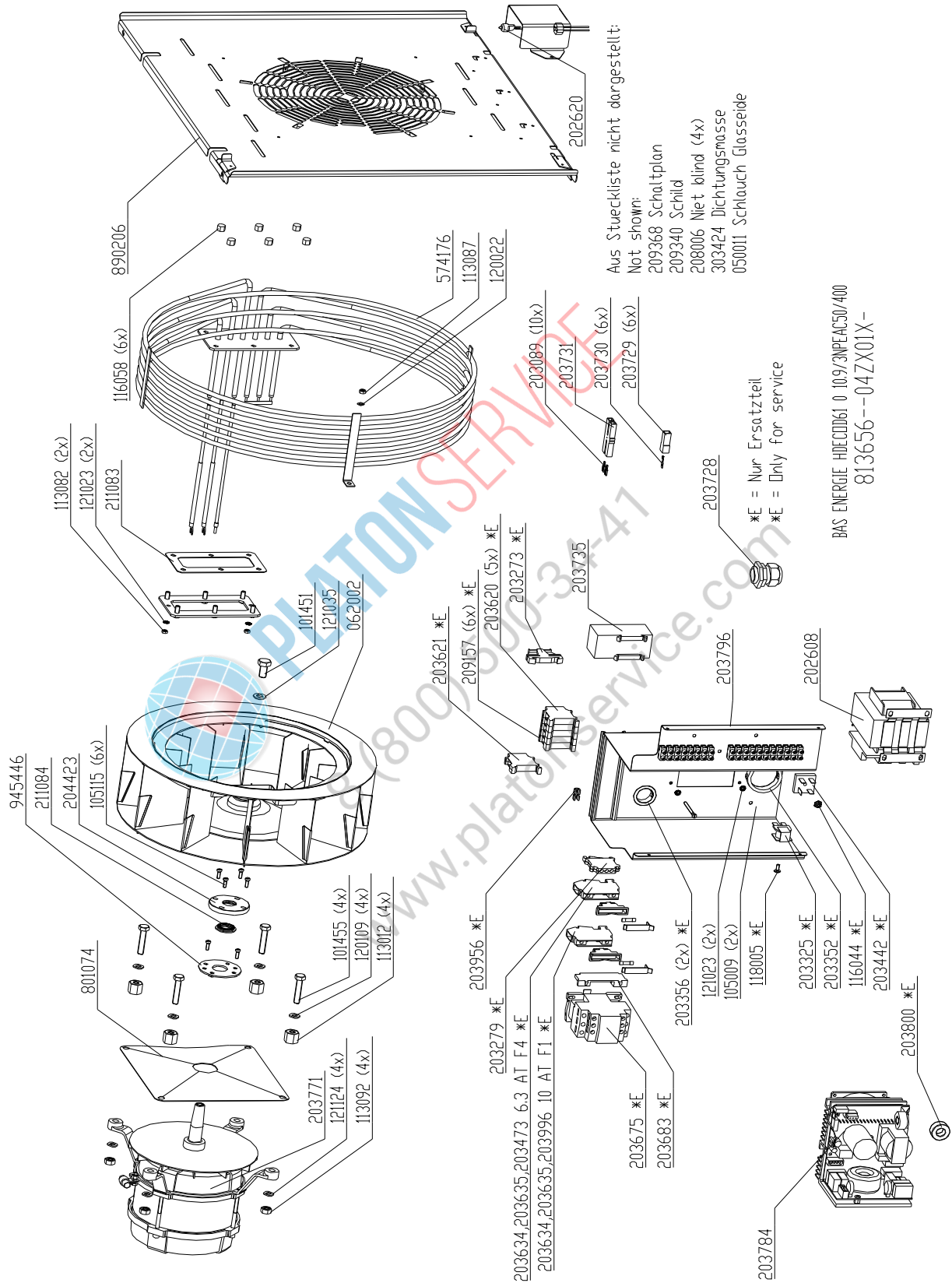
## Front panel HD10.x Gold

Valid from S/N 09021472 (Juli2009) with USB port



Until S/N 09021471 with serial port #033023 instead of USB port

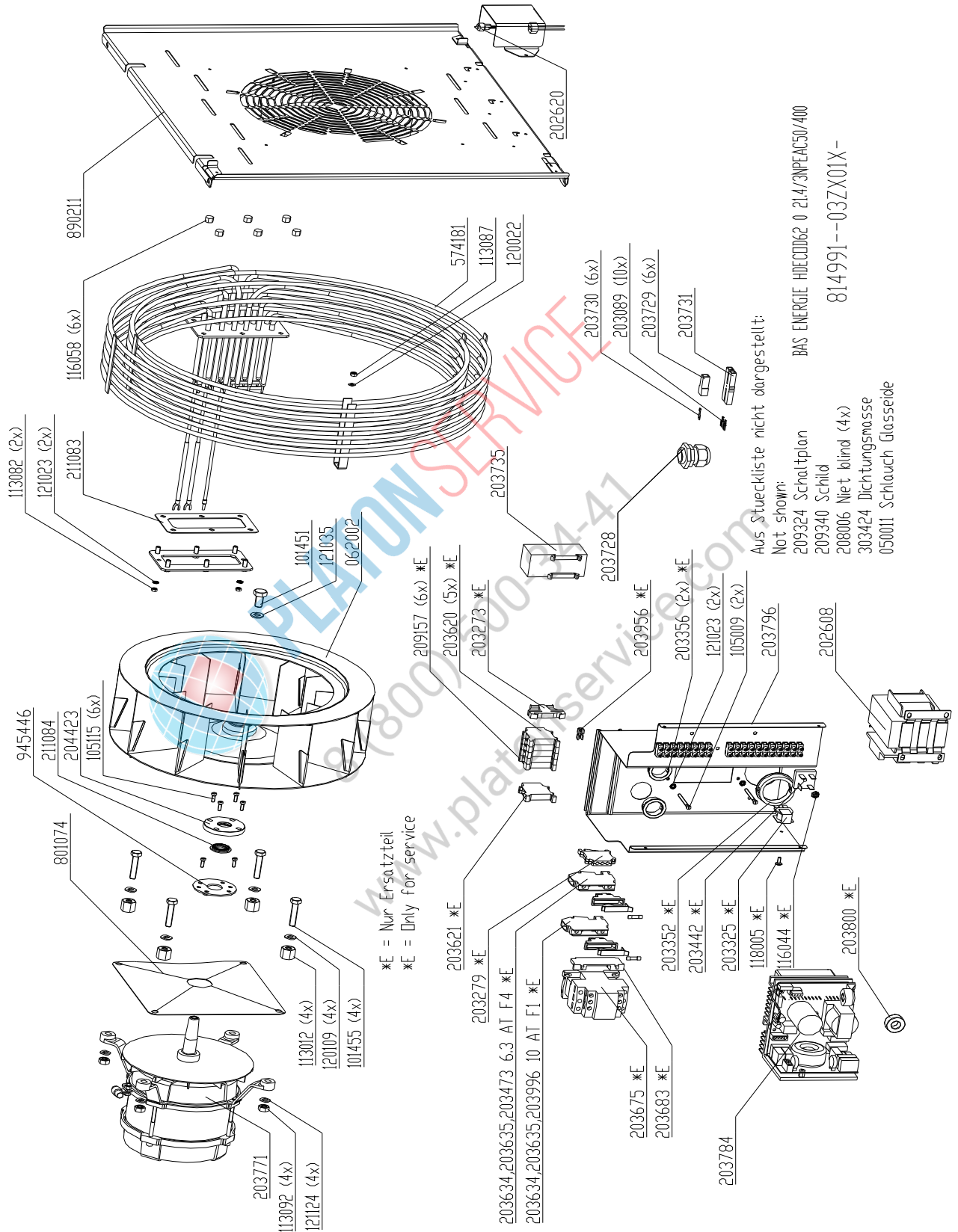
### Electric assembly 3NPE 400V HD6.1



Bis (until) S/N 08022075 (August2008) Transformator (transformer) #203818  
 Ab (from) S/N 11209575 (August2011): #945446 → #945661, #204423 → 204681,  
 #202620 → #203679

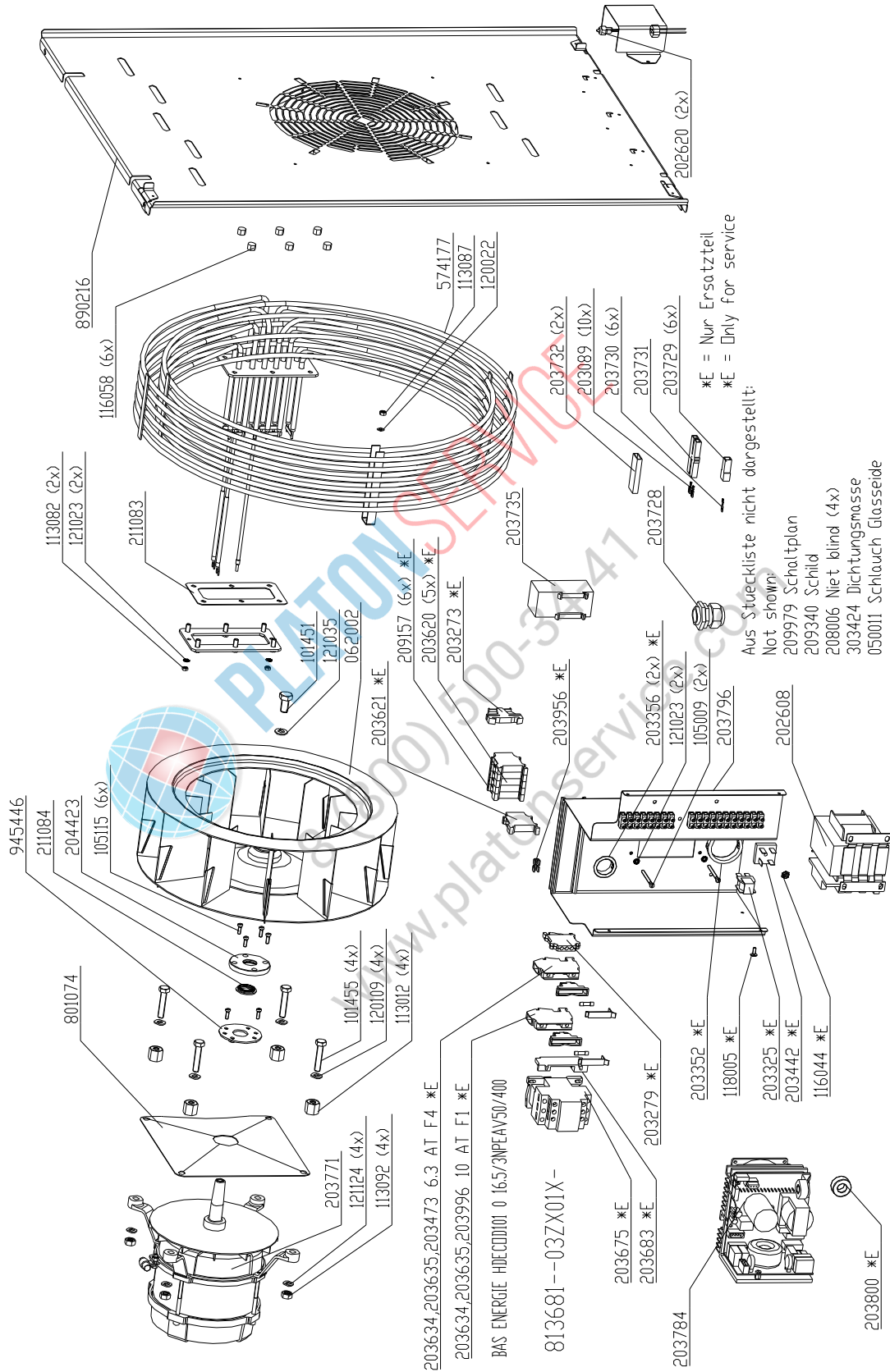


## Electric assembly 3NPE 400V HD6.2



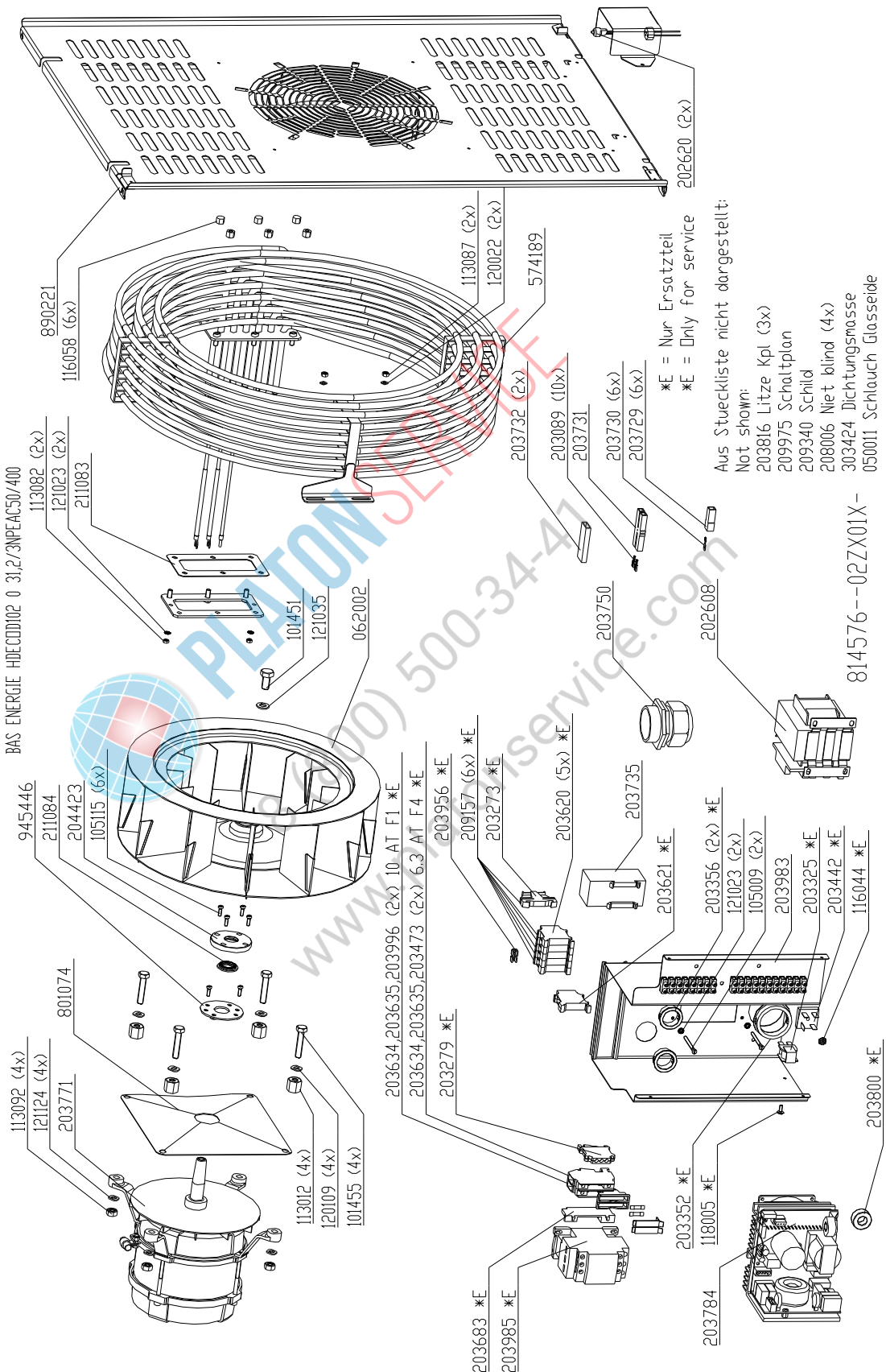
Bis (until) S/N 08022075 (August2008) Transformator (transformer) #203818  
 Ab (from) S/N 11209575 (August2011): #945446 → #945661, #204423 → 204681,  
 #202620 → #203679

# Electric assembly 3NPE 400V HD10.1



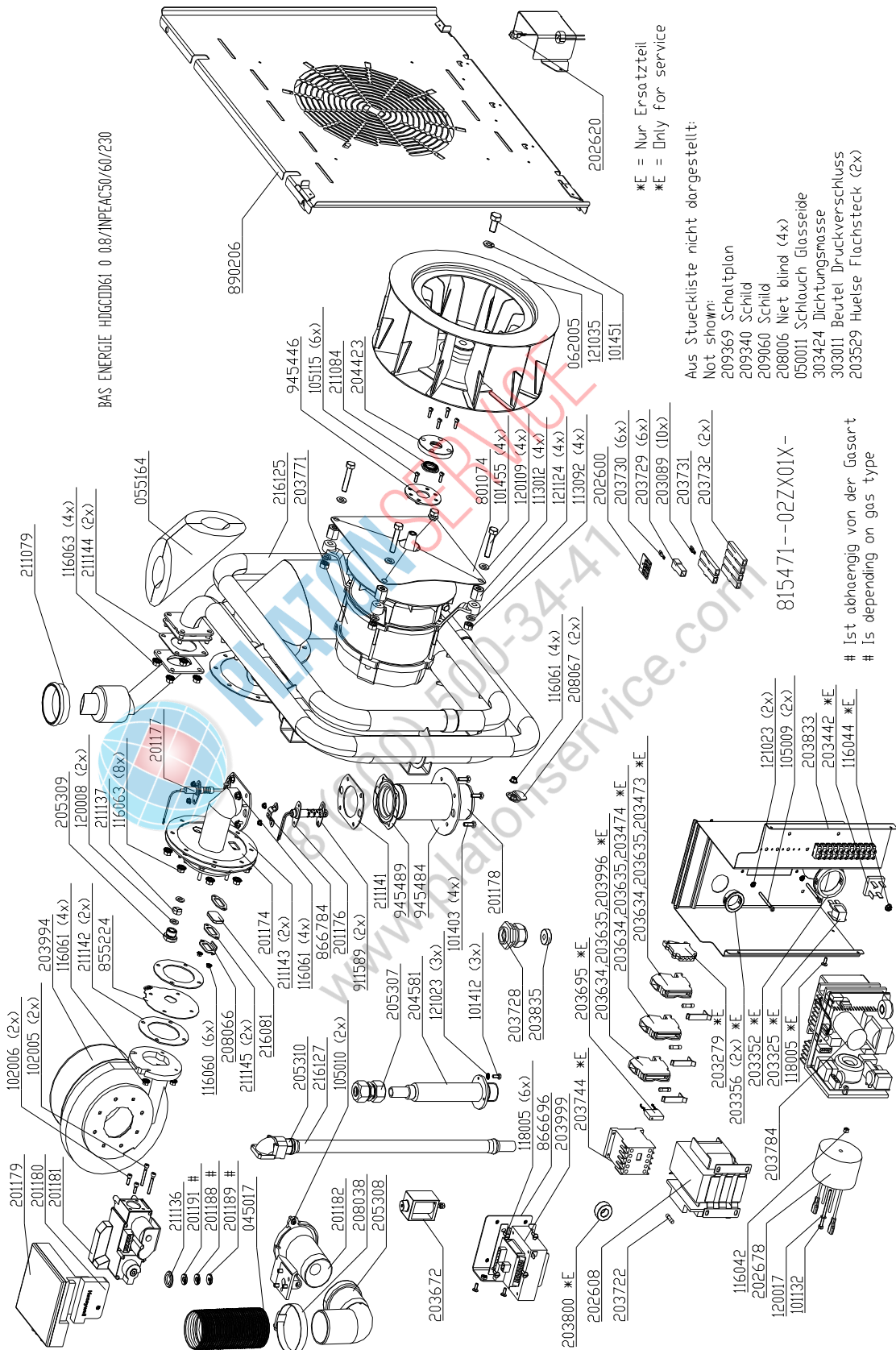
Bis (until) S/N 08022075 (August2008) Transformator (transformer) #203818

## Electric assembly 3NPE 400V HD10.2



Bis (until) S/N 08022075 (August2008) Transformator (transformer) #203818

# Gas assembly HD6.1



BAS ENERGIE HDGCD061 0 0.8/ANPEAC50/60/230

\*E = Nur Ersatzteil  
\*E = Only for service

Aus Stueckliste nicht dargestellt:  
Not shown:

- 209369 Schaltplan
- 209340 Schild
- 209060 Schild
- 208006 Niet blind (4x)
- 050011 Schlauch Glosseide
- 303424 Dichtungsmasse
- 303011 Beutel Druckverschluss
- 203529 Huelse Flachsteck (2x)

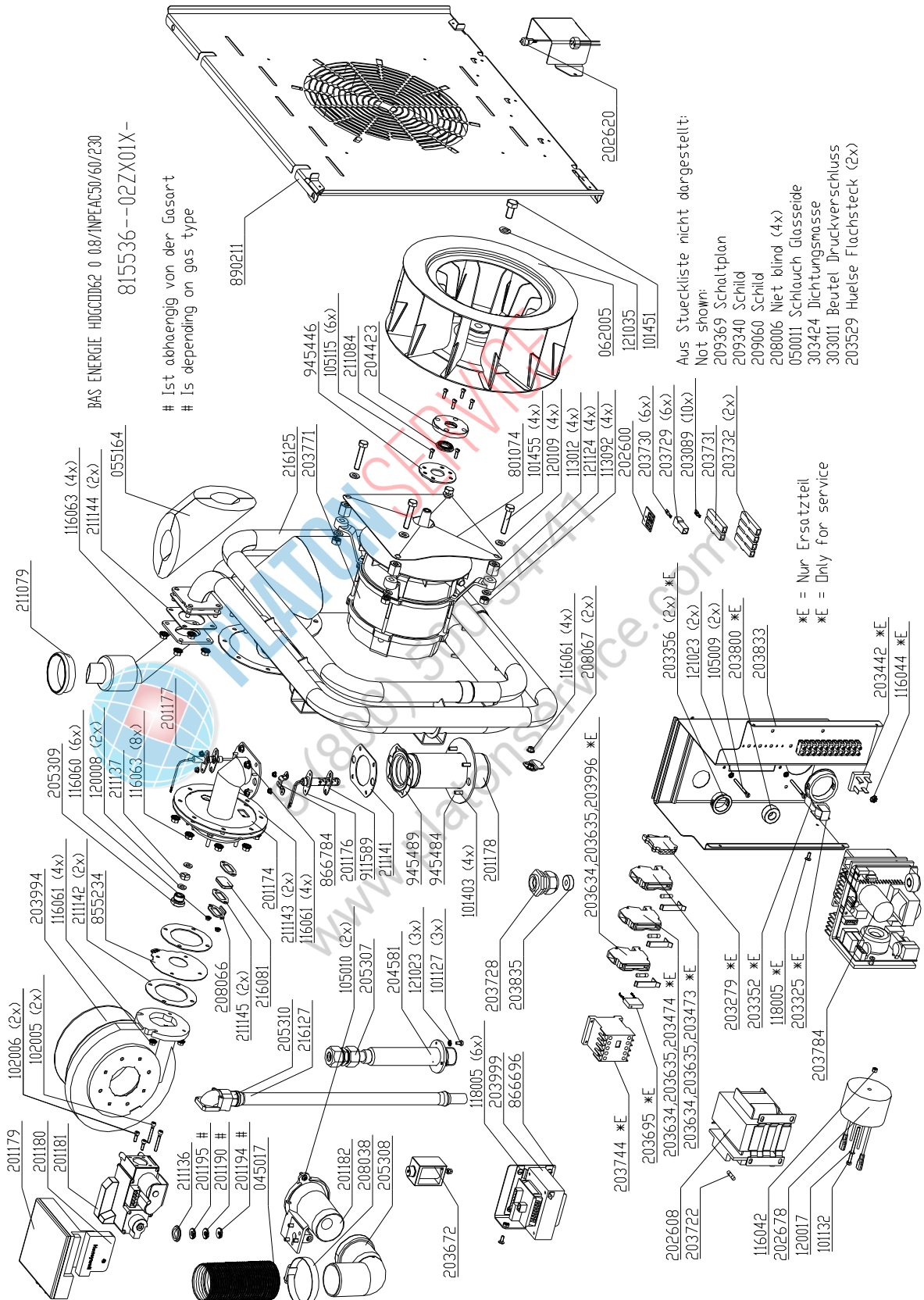
815471--02ZX01X-

# Ist abhaengig von der Gasart  
# Is depending on gas type

Bis (until) S/N 08022075 (August2008) Transformator (transformer) #203818  
Ab (from) 11209862 (August2011): #202620 → #203679

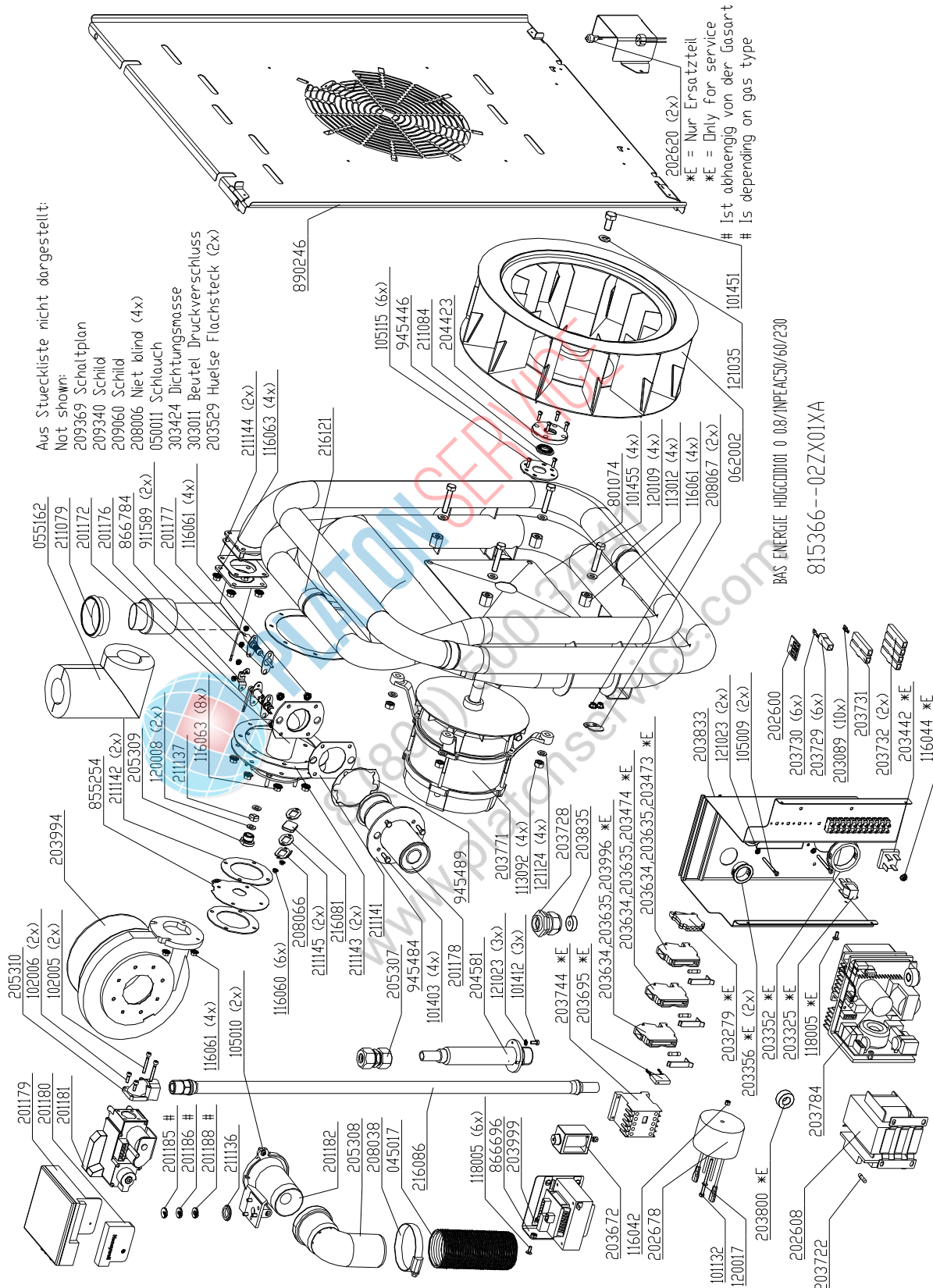


### Gas assembly HD6.2



Bis (until) S/N 08022075 (August2008) Transformator (transformer) #203818  
Ab (from) 11209862 (August2011): #202620 → #203679

## Gas assembly HD10.1



Aus Stueckliste nicht dargestellt:  
Not shown:  
209369 Schaltplan  
209340 Schild  
209060 Schild  
208006 Niet blind (4x)  
050011 Schlauch  
303424 Dichtungsmasse  
303011 Beutel Druckverschluss  
203529 Huese Flachsteck (2x)

202620 (2x)  
\*E = Nur Ersatzteil  
\*E = Only for service  
# Ist abhaengig von der Gasart  
# Is depending on gas type

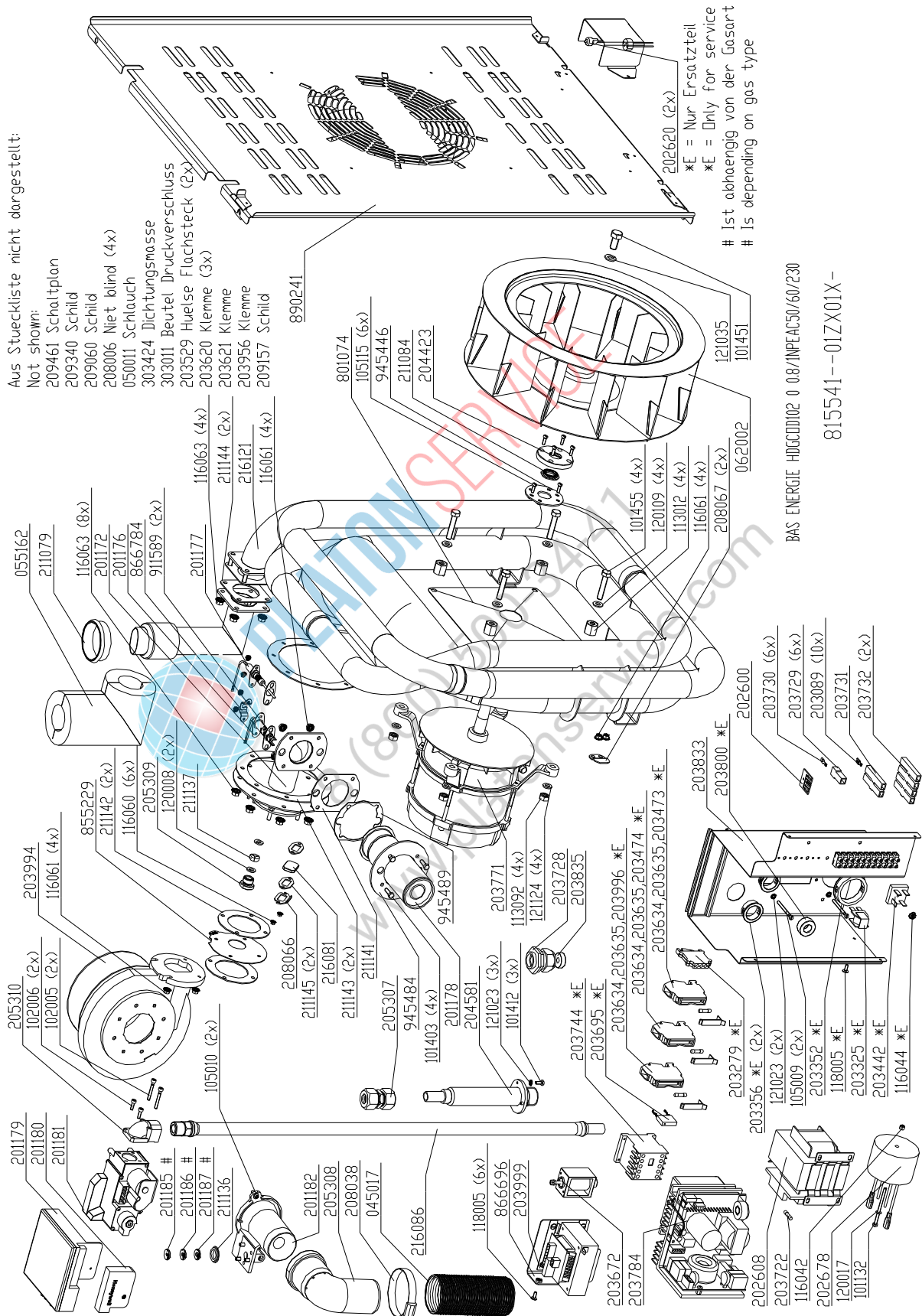
BAS ENERGIE HDGCDD101 0.8/1NPEAC50/60/230  
815366--02ZX01XA

Bis (until) S/N 08022075 (August2008) Transformator (transformer) #203818  
Bis (until) S/N 09020157: #216085 ersetzt durch (replaced by) #216121 & # 855254. Es müssen beide Teile ersetzt werden (Both parts must be replaced)!

Ab (from) 11210677 (August2011): #202620 → #203679



# Gas assembly HD10.2



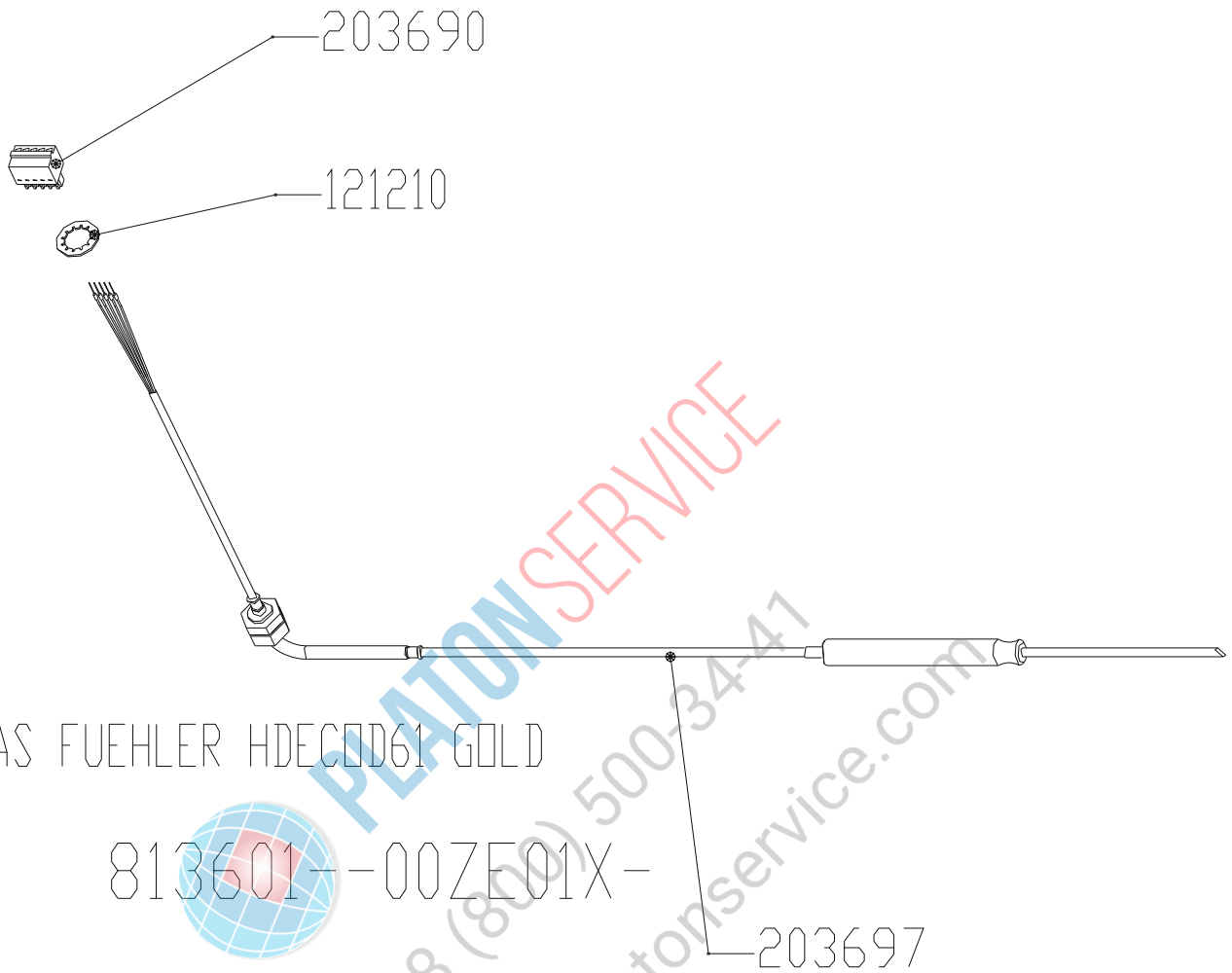
Bis (until) S/N 08022075 (August 2008) Transformator (transformer) #203818



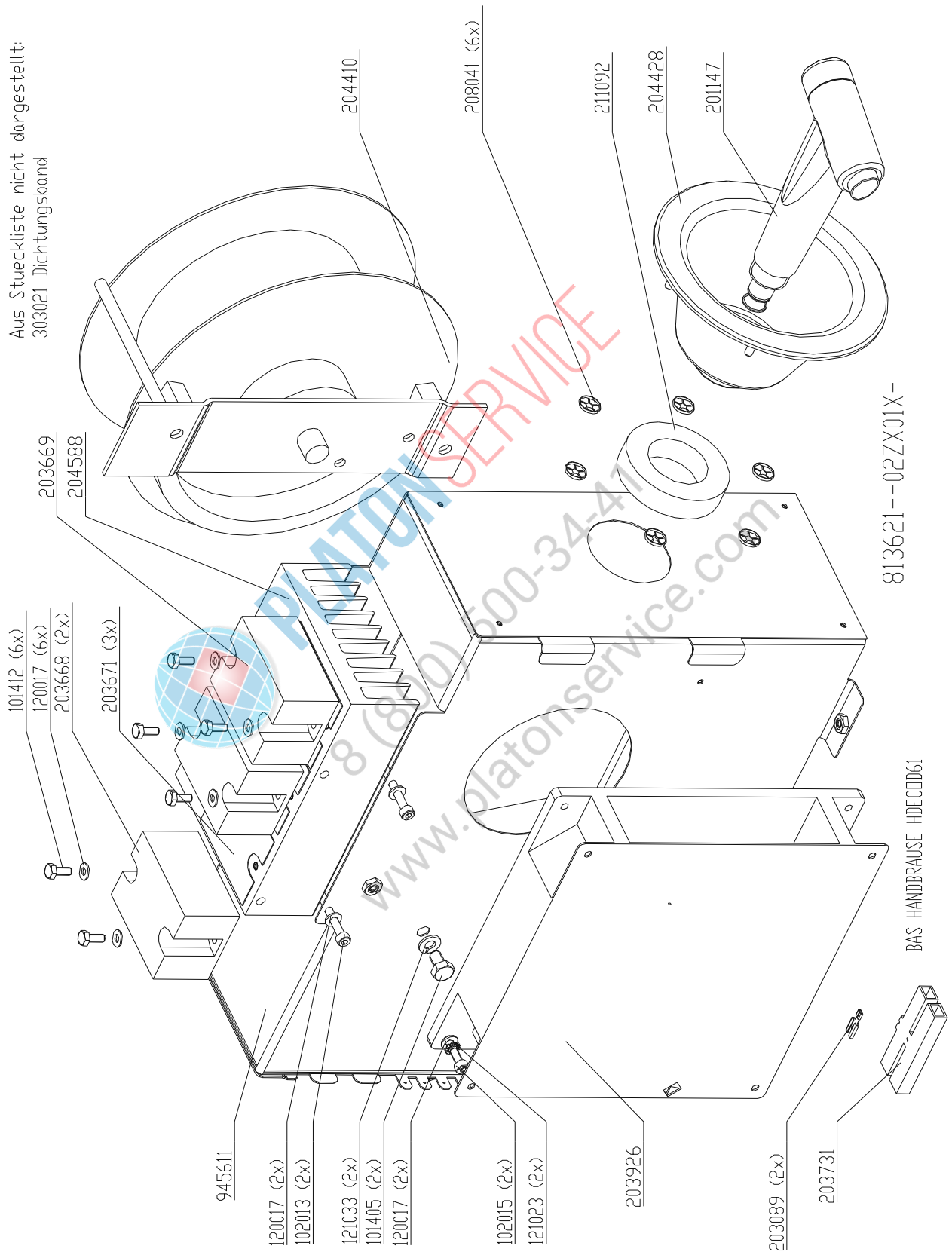
Ab (from) 11210677 (August2011): #202620 → #203679



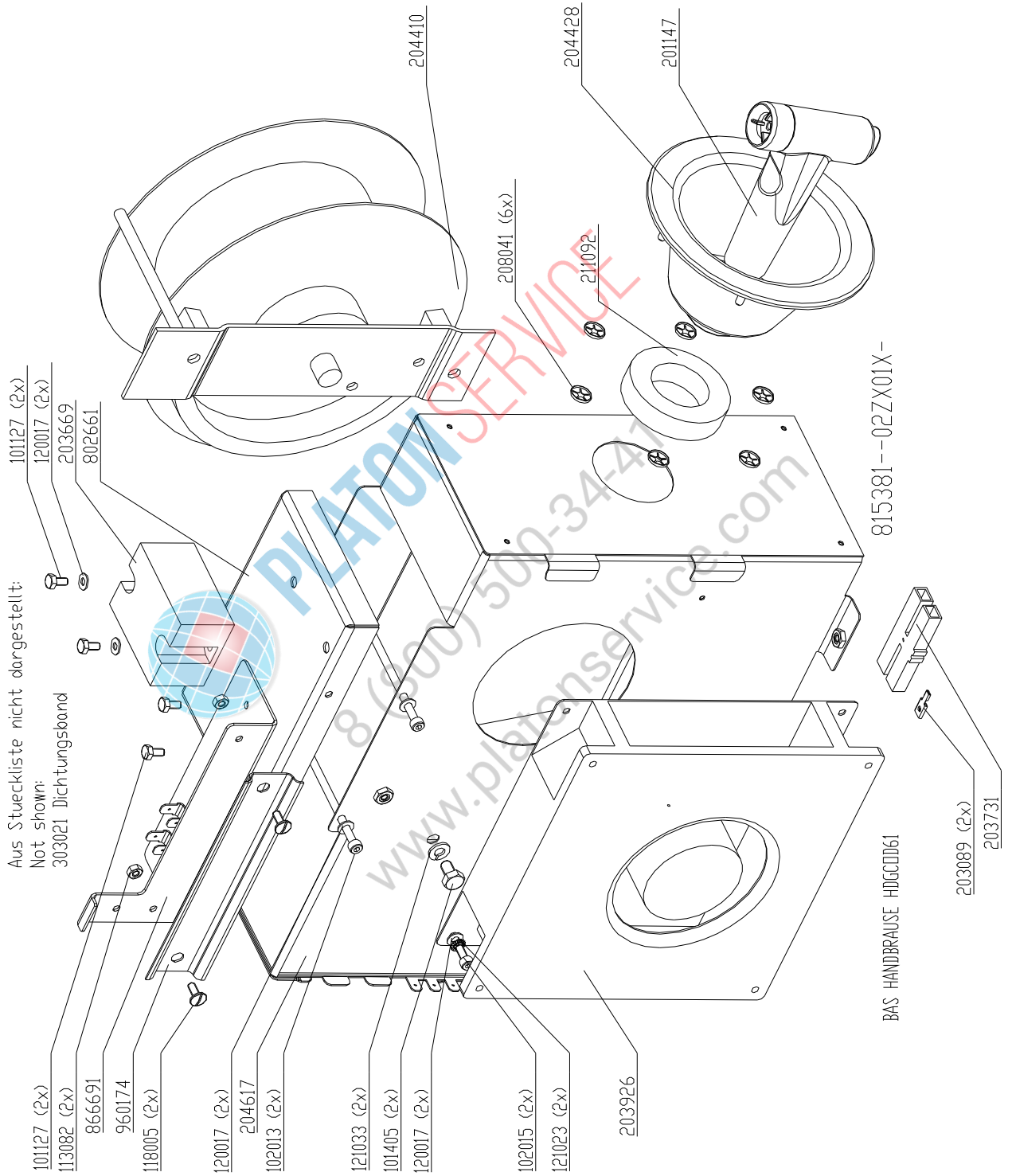
### Core temperature probe HD6.x & HD10.x



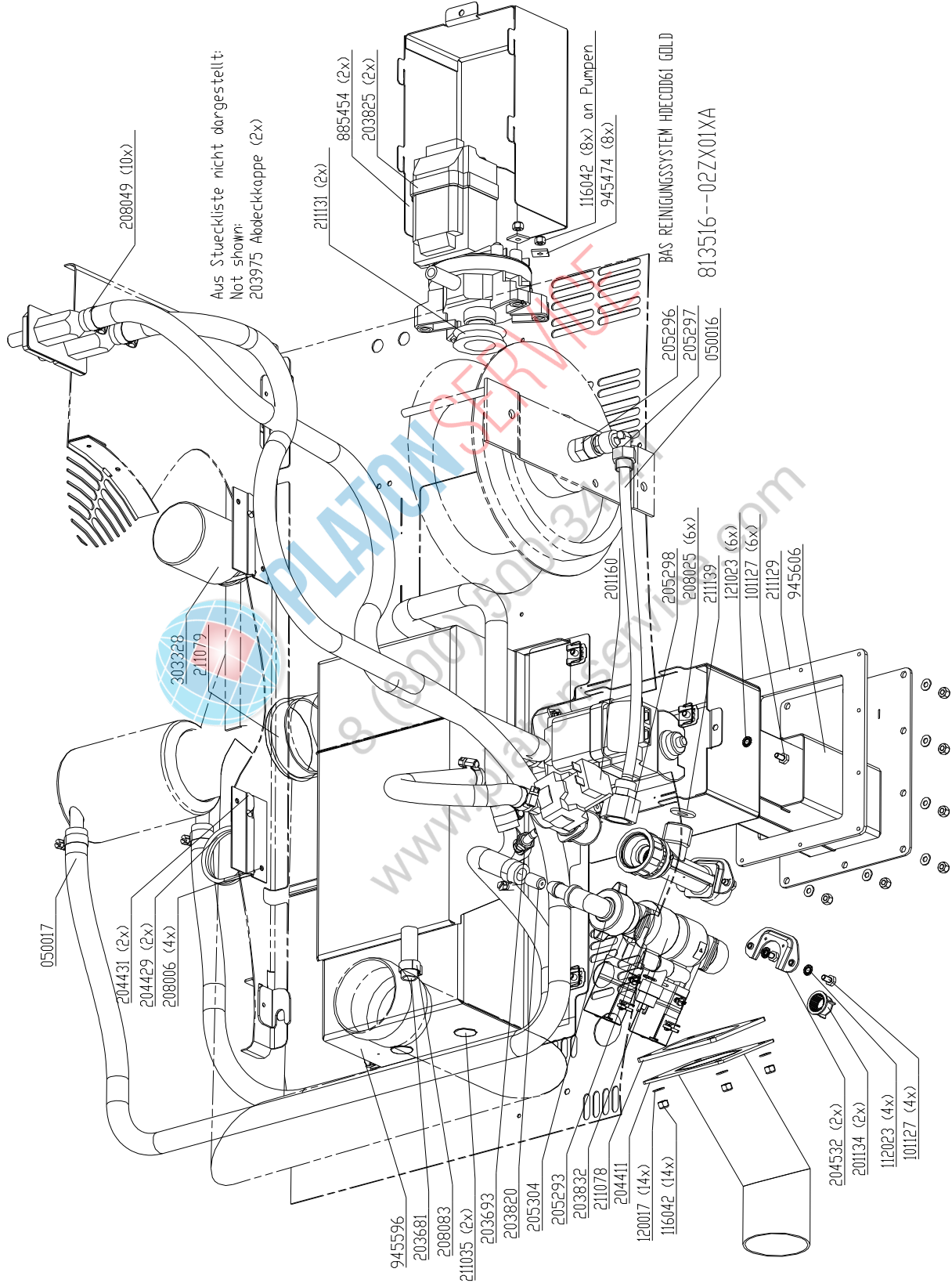
## Tube carrier box & handshower HD6.x & HD10.x Electric



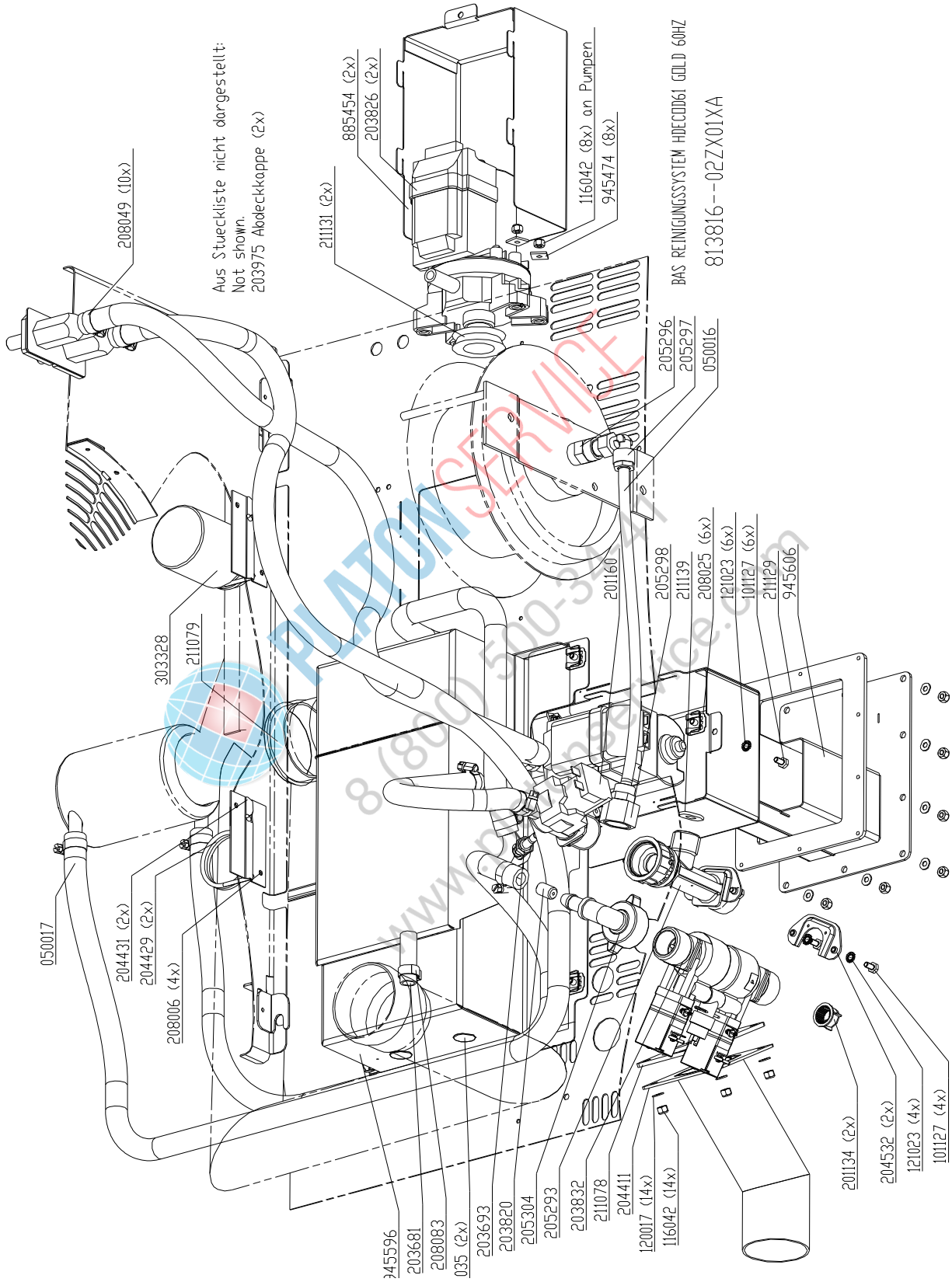
## Tube carrier box & handshower 6.x & 10.x Gas



## Water assembly 50Hz HD6.x & HD10.x



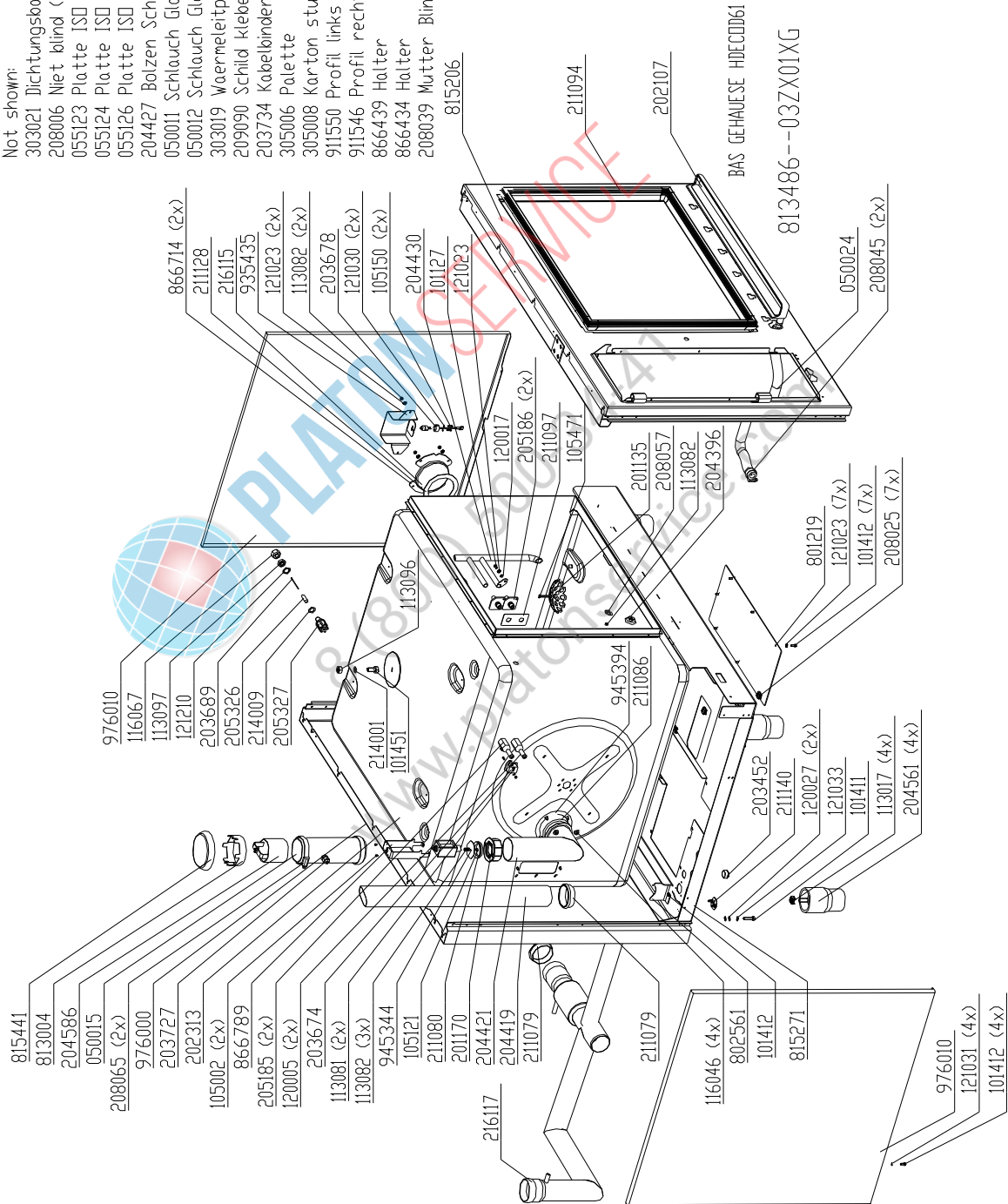
## Water assembly 60Hz HD6.x & HD10.x



## Chassis HD6.x Electric Valid until S/N 11209574 (August 2011)

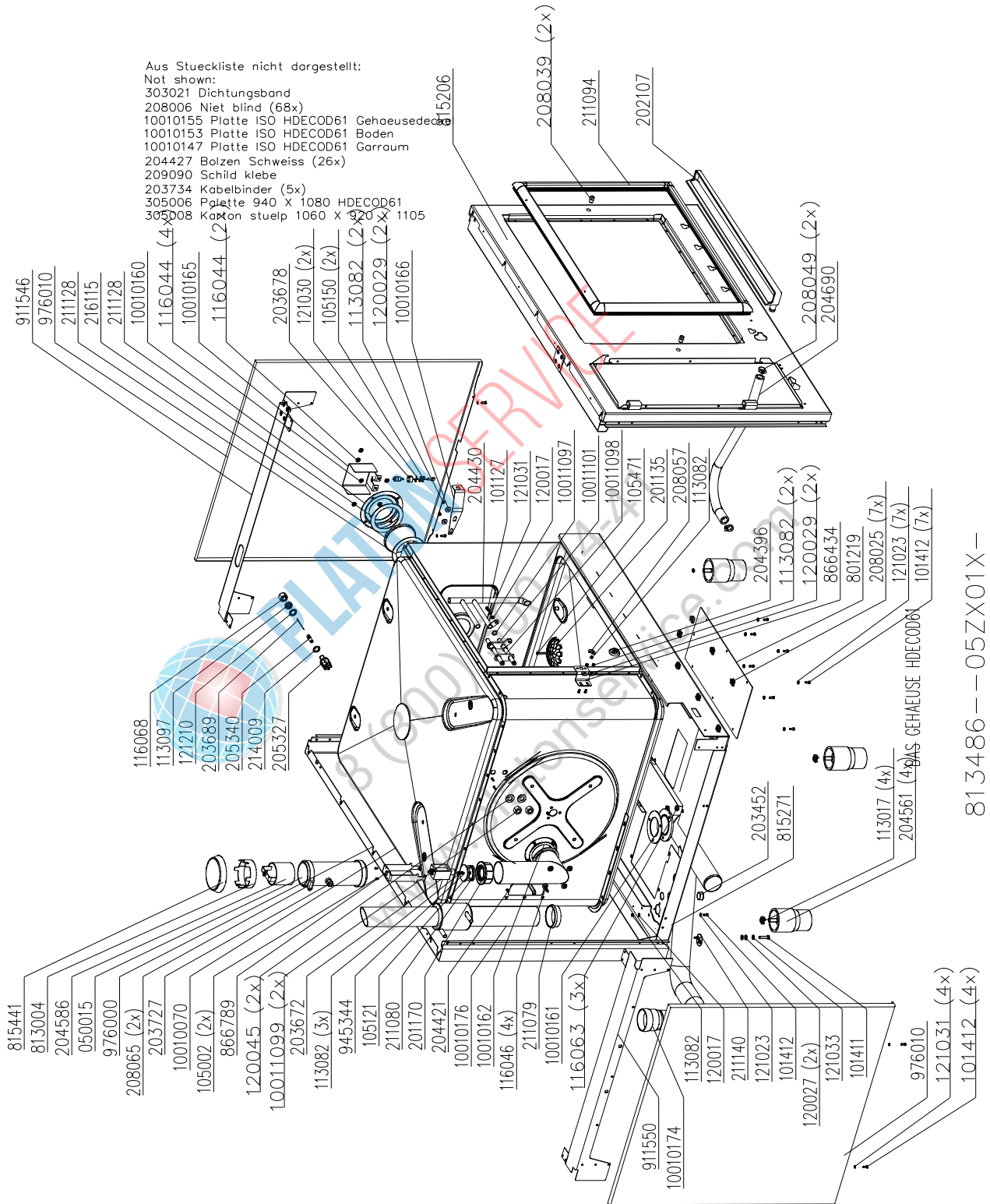
Aus Stueckliste nicht dargestellt:

- Not shown:
- 303021 Dichtungsband
  - 208006 Niet blind (68x)
  - 055123 Platte ISO
  - 055124 Platte ISO
  - 055126 Platte ISO
  - 204427 Bolzen Schweiss (26x)
  - 050011 Schlauch Glasseide
  - 050012 Schlauch Glasseide
  - 303019 Waermeleitpaste
  - 209090 Schild klebe
  - 203734 Kabelbinder
  - 305006 Palette
  - 305008 Karton stuelp
  - 911550 Profil links
  - 911546 Profil rechts
  - 866439 Halter
  - 866434 Halter
  - 208039 Mutter Blindniet (2x)
  - 815206



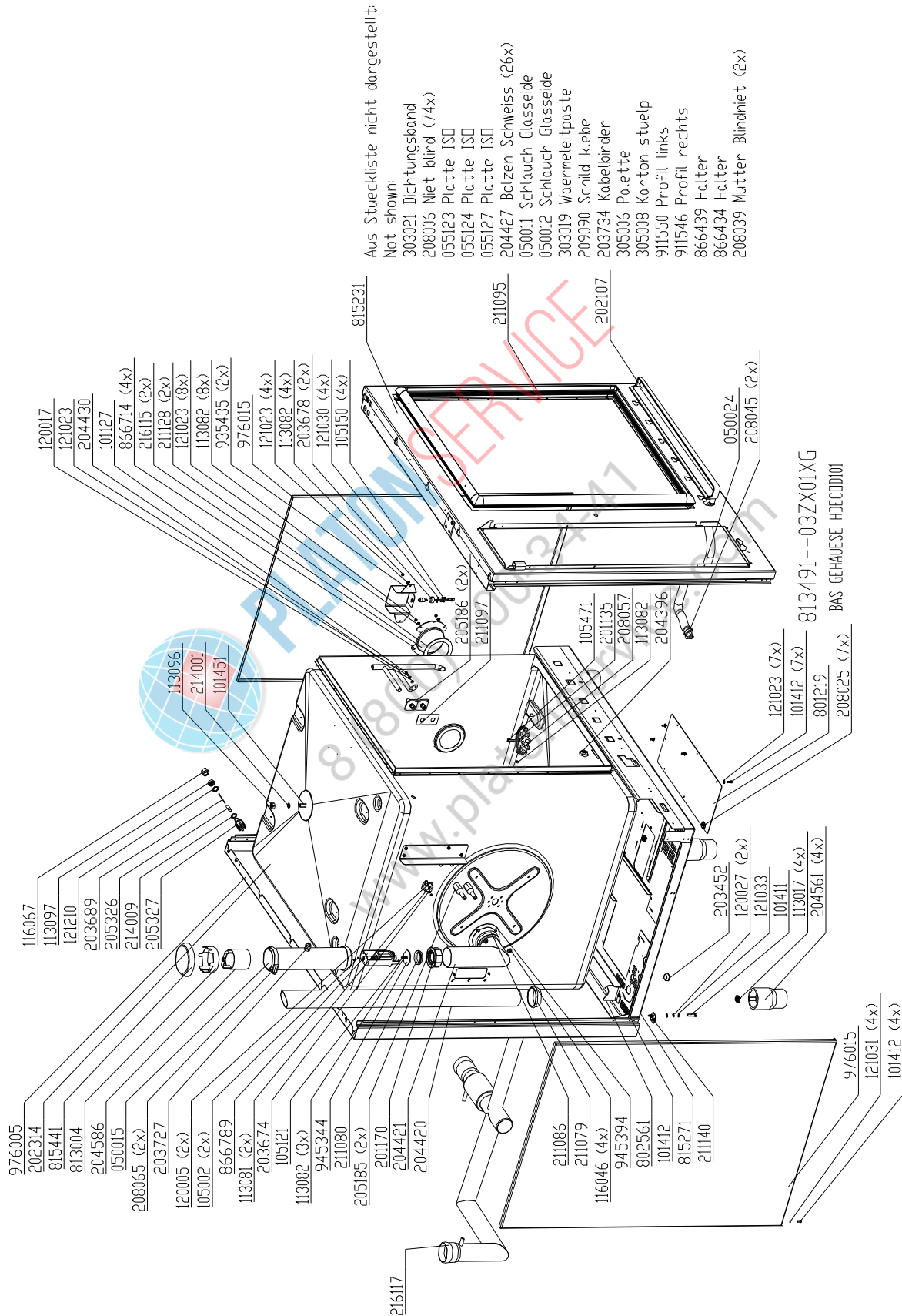


## Chassis HD6.x Electric Valid from S/N 11209575 (August 2011)

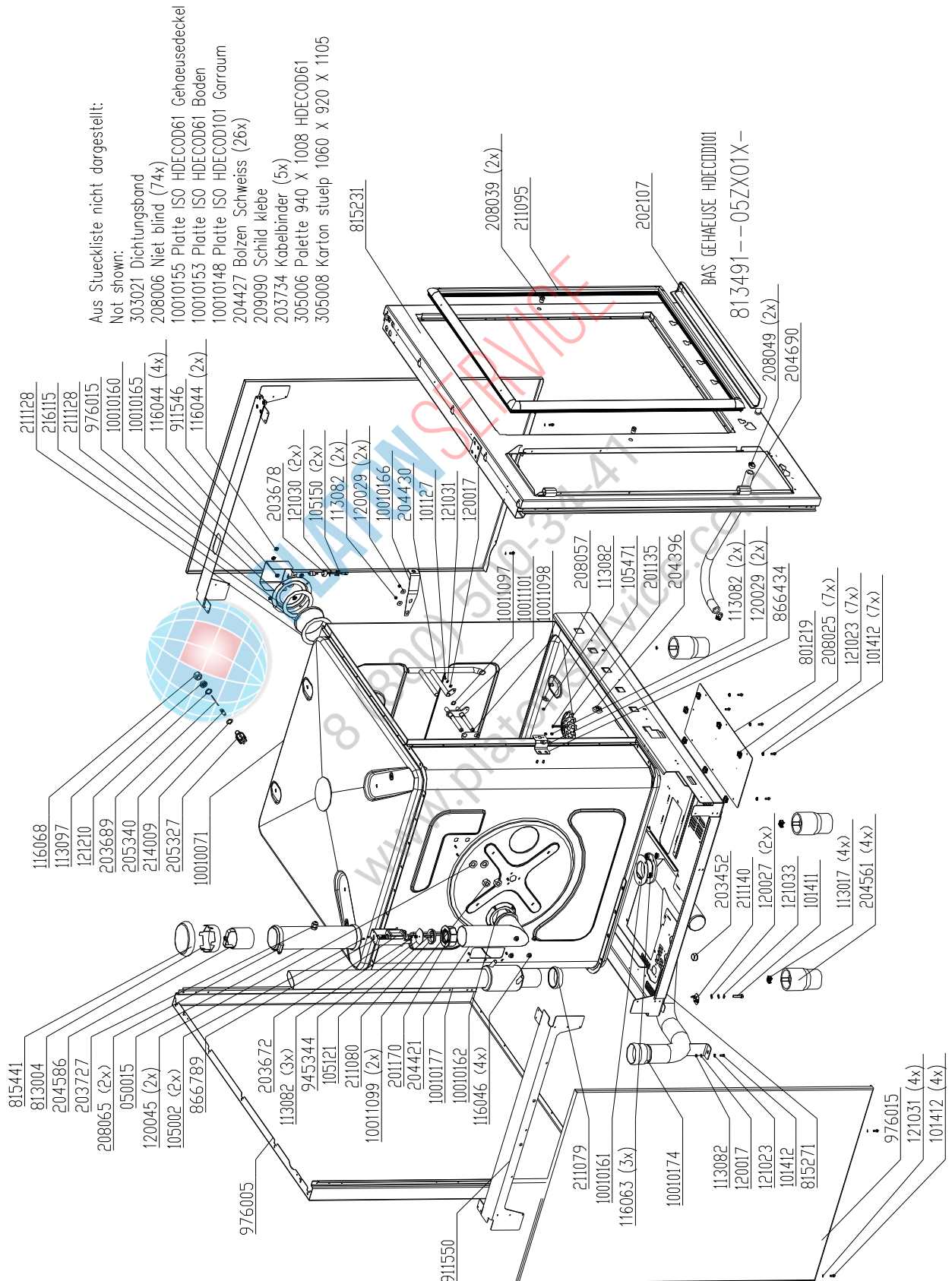




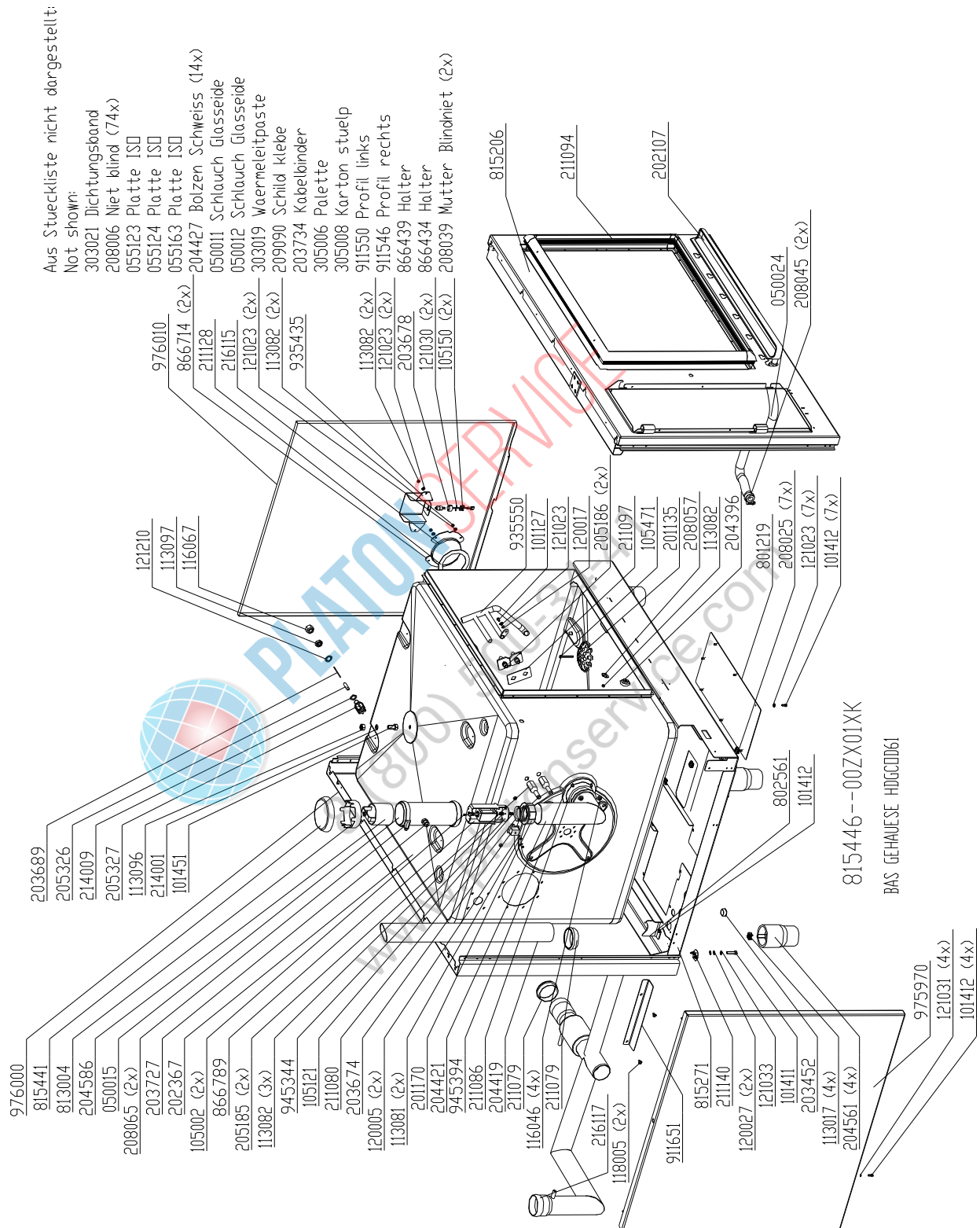
# Chassis HD10.x Electric Valid until S/N 11208882 (August 2011)



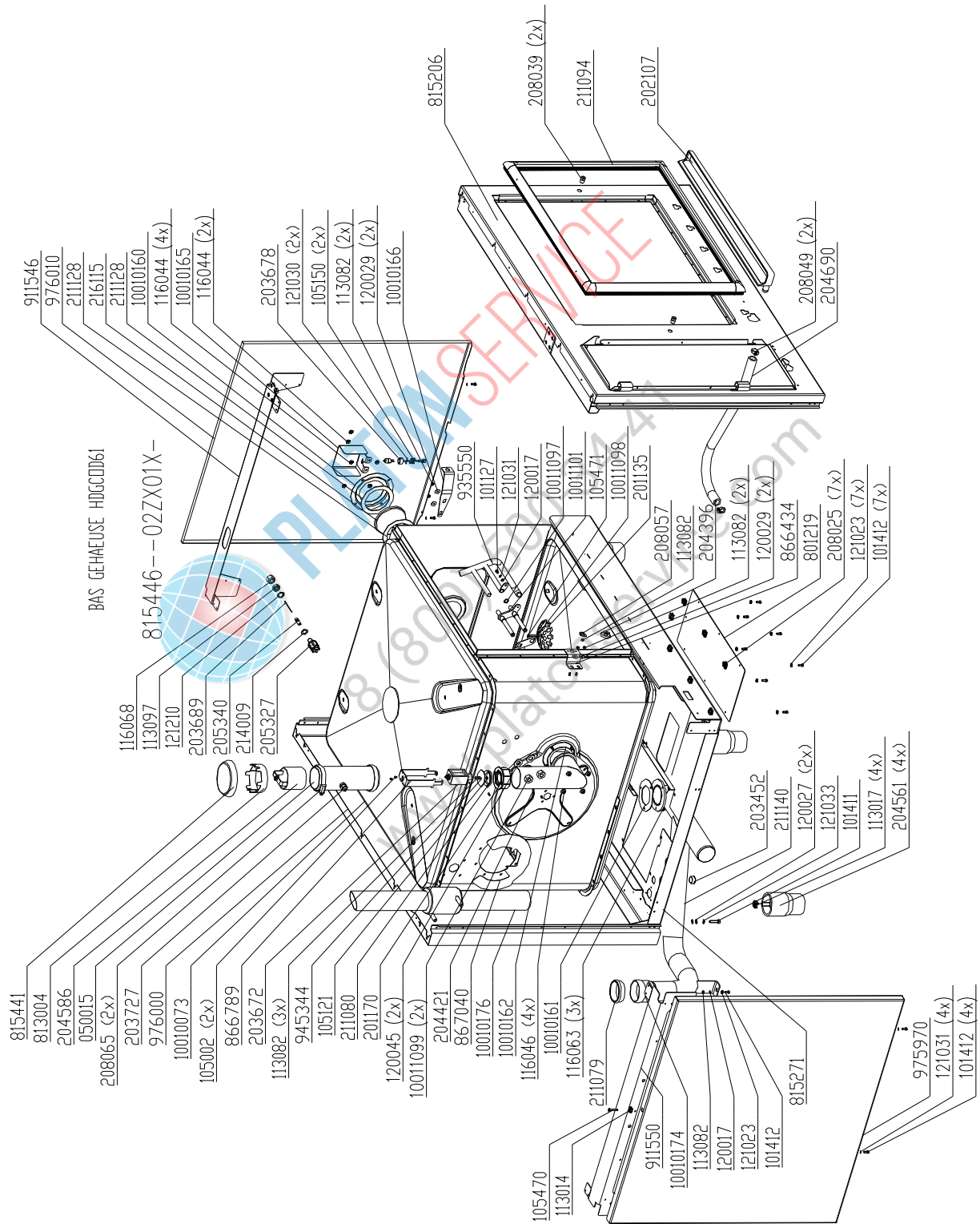
## Chassis HD10.x Electric Valid from S/N 11208883 (August 2011)



## Chassis HD6.x Gas Valid until S/N 11209861 (August 2011)



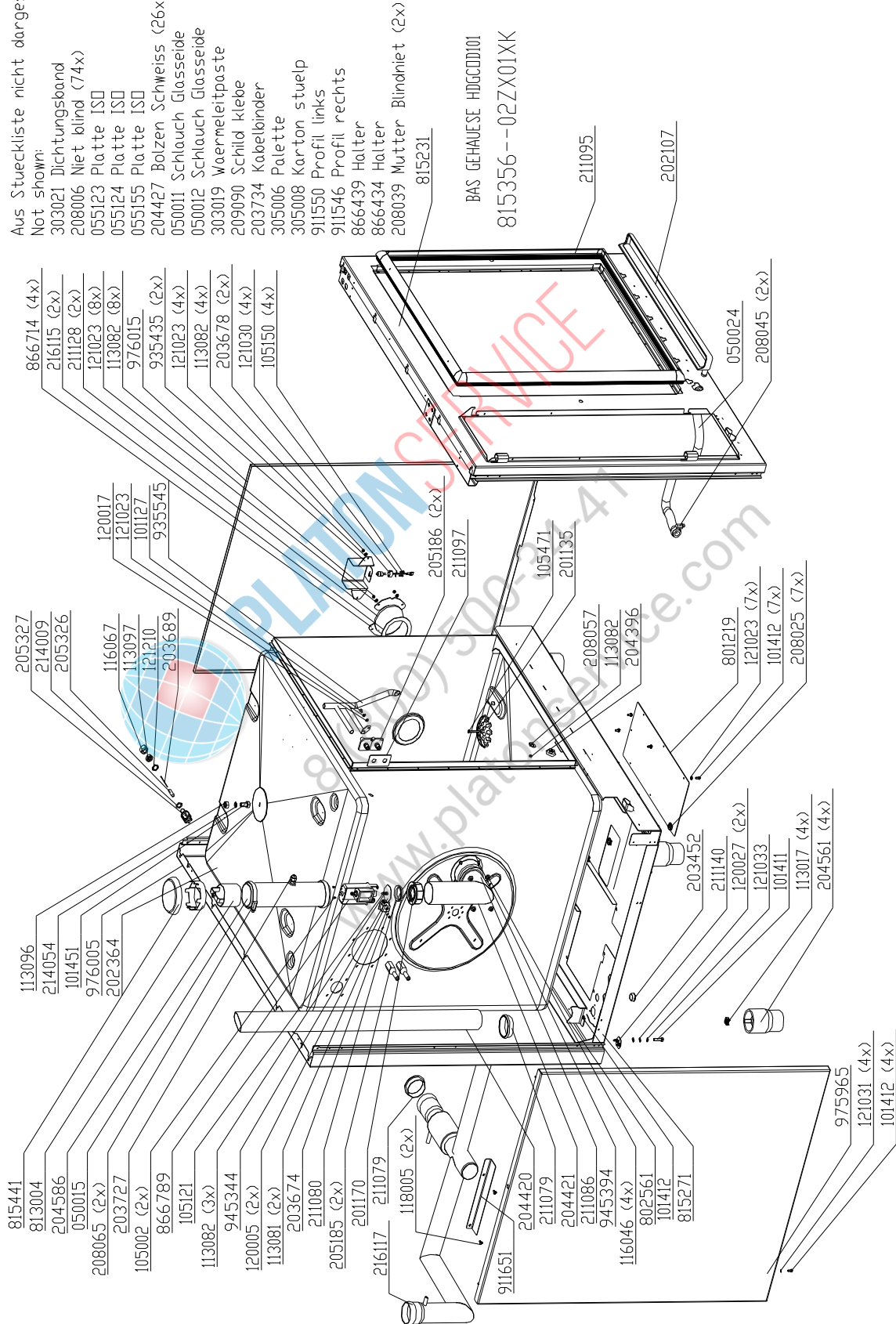
**Chassis HD6.x Gas** Valid from S/N 11209862 (August 2011)



## Chassis HD10.x Gas Valid until S/N 11210676 (August 2011)

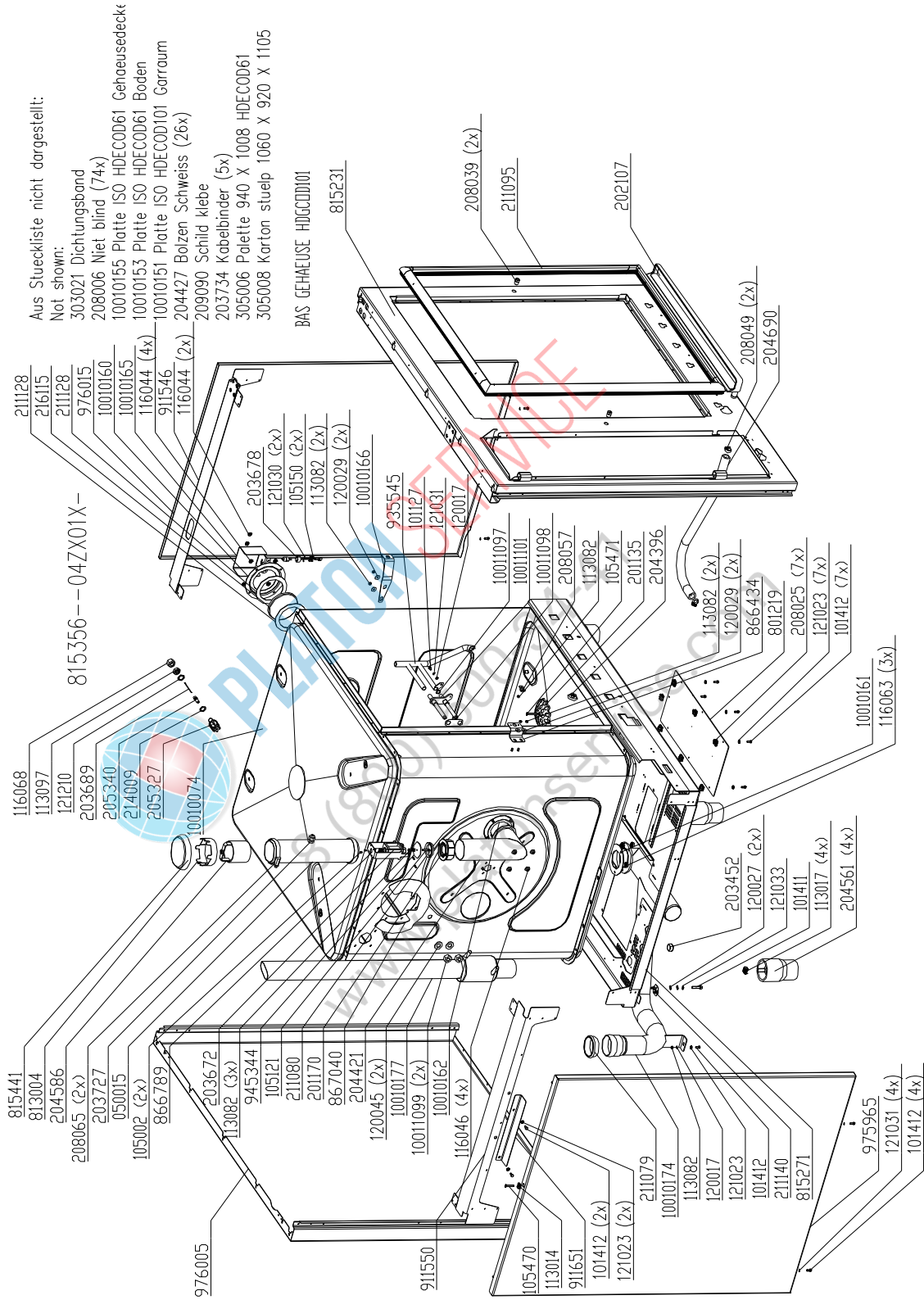
Aus Stueckliste nicht dargestellt:  
Not shown:

- 303021 Dichtungsband
- 208006 Niet blind (74x)
- 055123 Platte ISO
- 055124 Platte ISO
- 055155 Platte ISO
- 204427 Bolzen Schweiss (26x)
- 050011 Schlauch Glasseide
- 050012 Schlauch Glasseide
- 303019 Waermeleitpaste
- 209090 Schild klebe
- 203734 Kabelbinder
- 305006 Palette
- 305008 Karton stuelp
- 911550 Profil links
- 911546 Profil rechts
- 866439 Halter
- 866434 Halter
- 208039 Mutter Blindniet (2x)

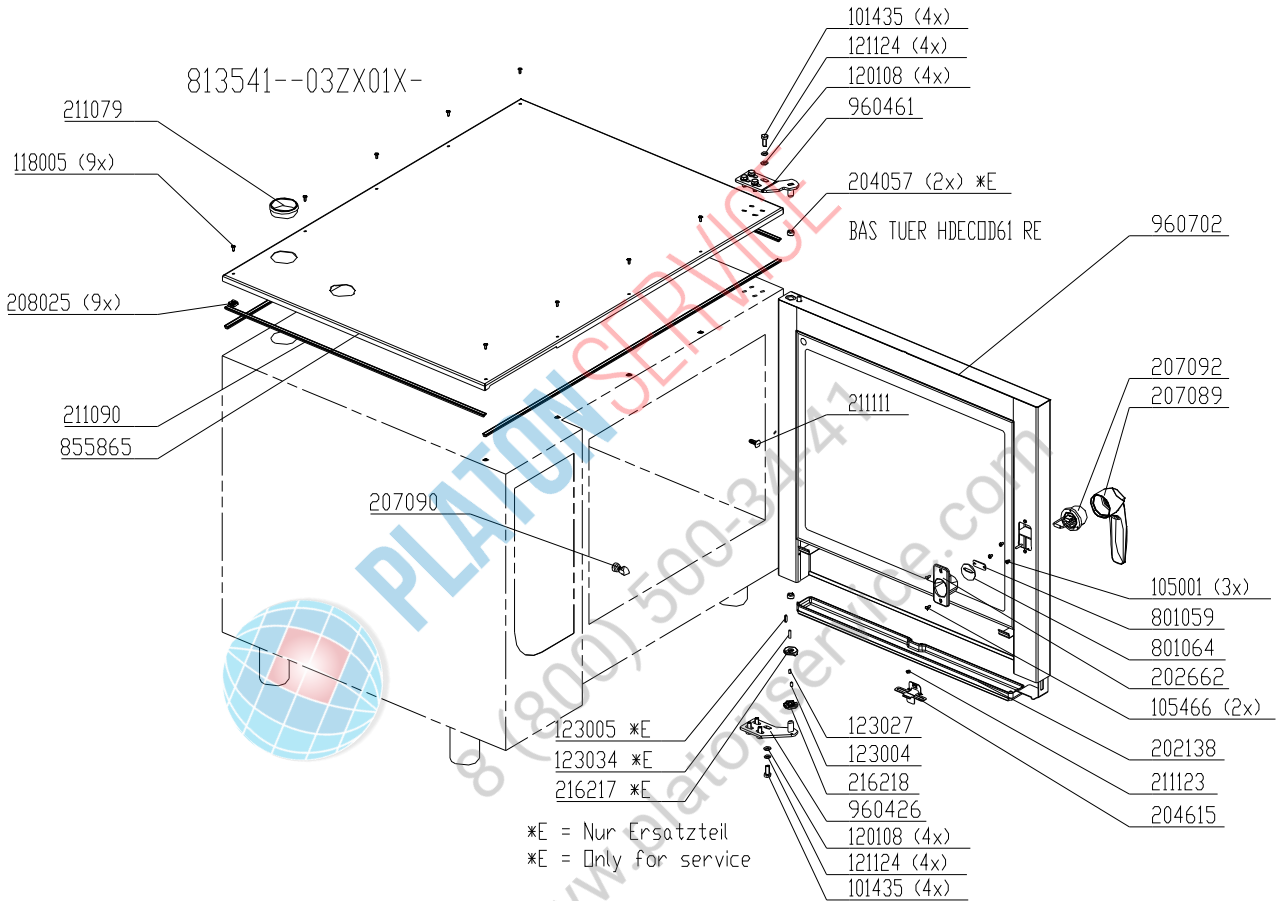




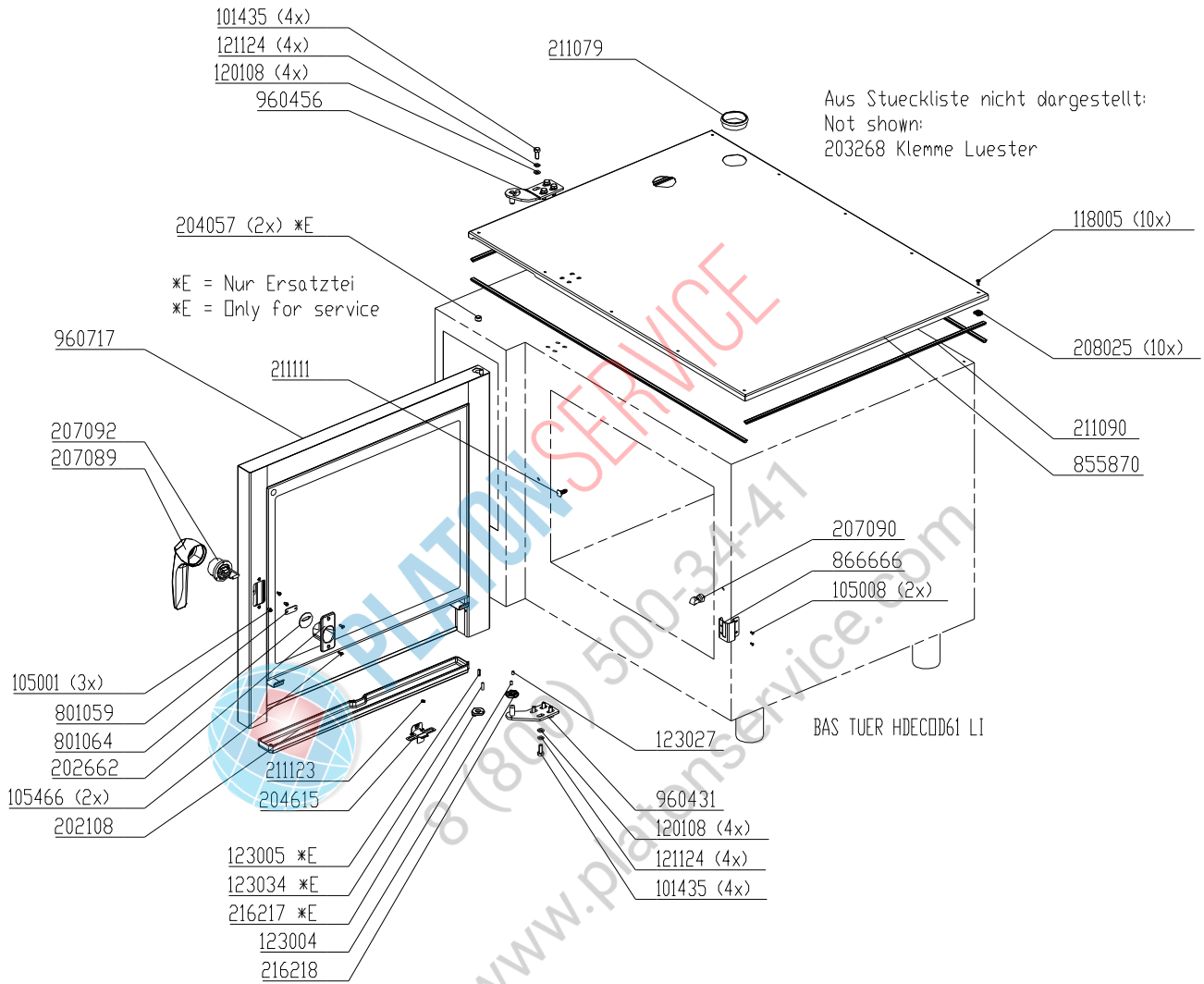
**Chassis HD10.x Gas** Valid from S/N 11210677 (August 2011)



## Chassis door area HD6.x, right hand hinged (Electric)

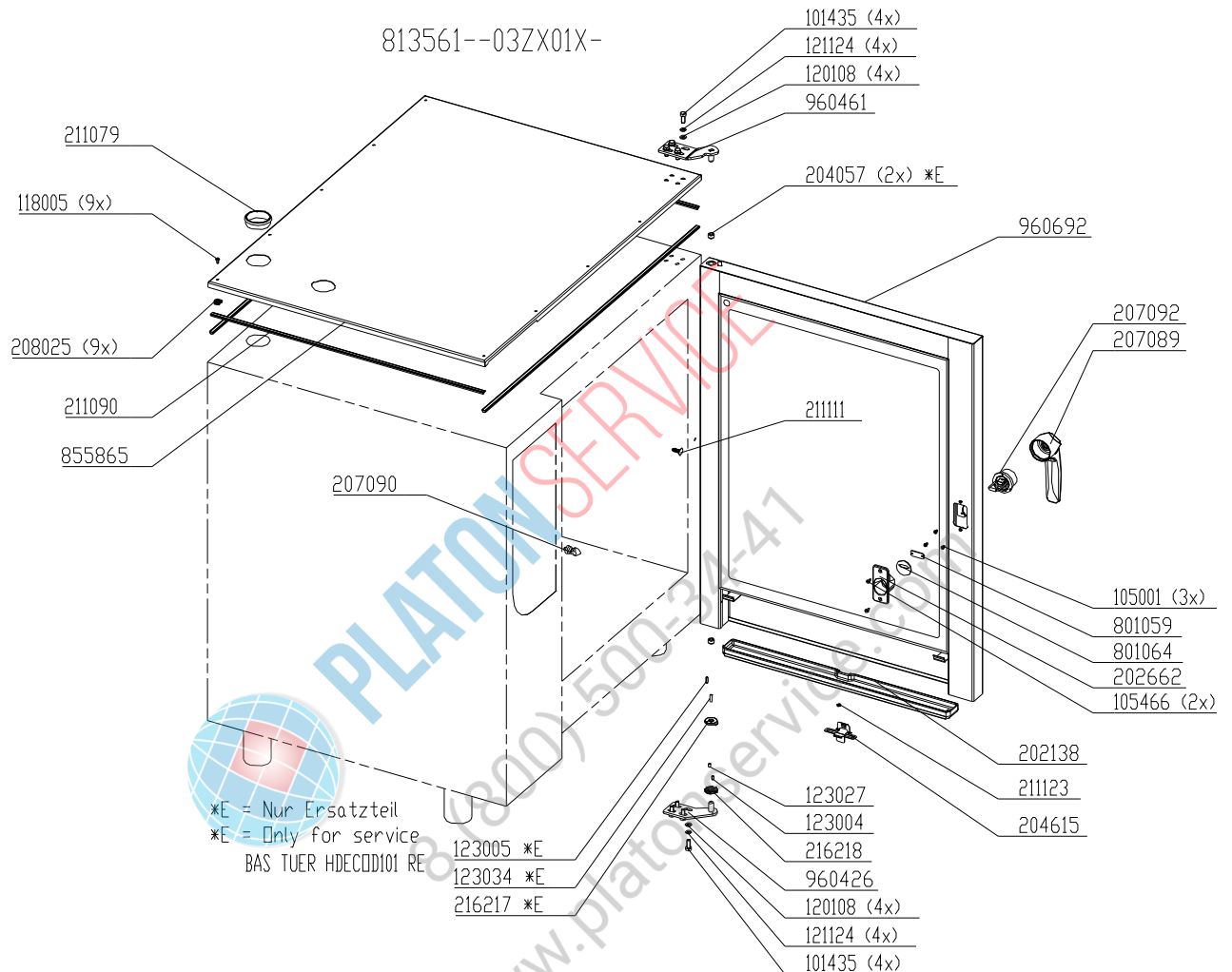


## Chassis door area HD6.x, left hand hinged (Electric)

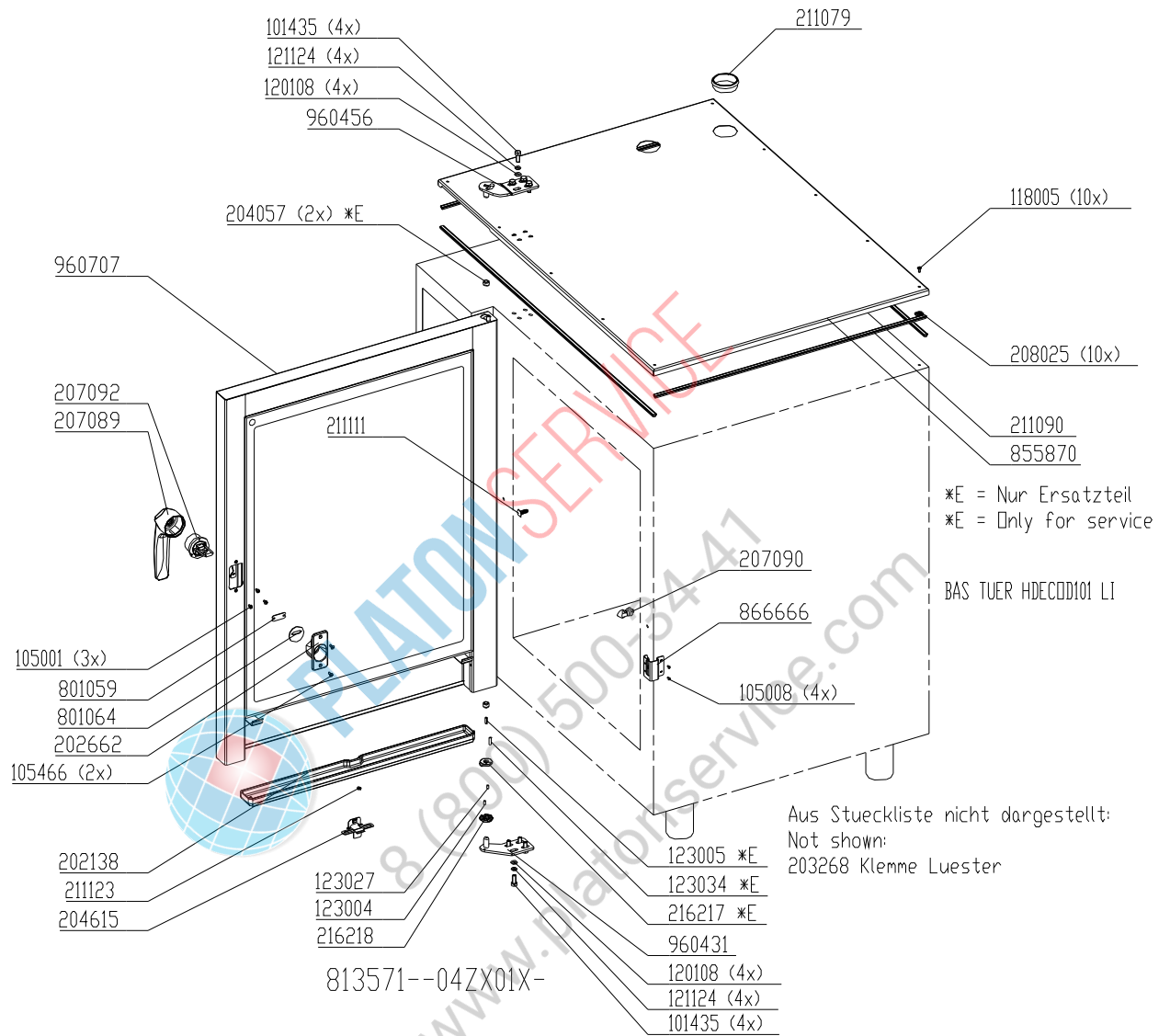




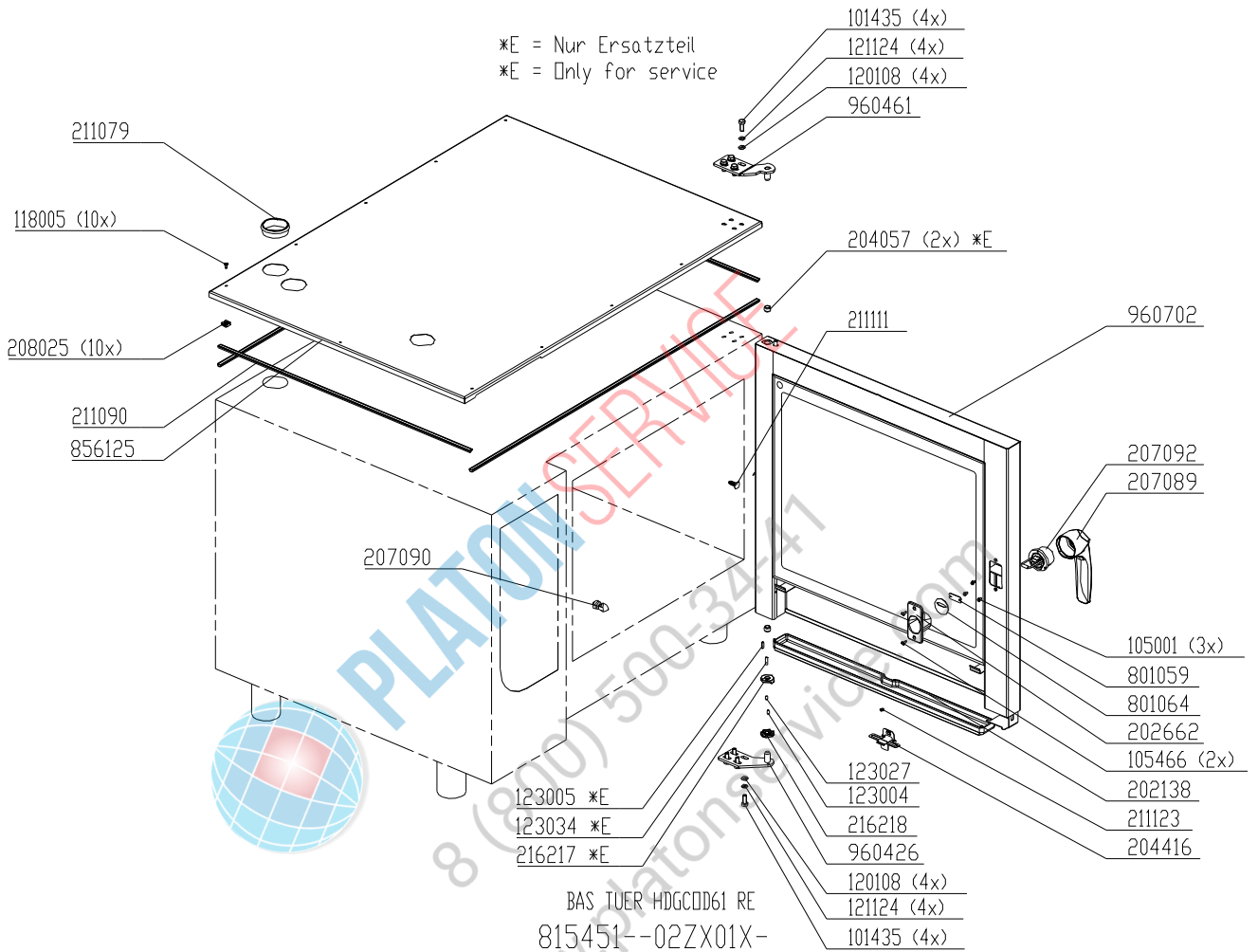
## Chassis door area HD10.x, right hand hinged (Electric)



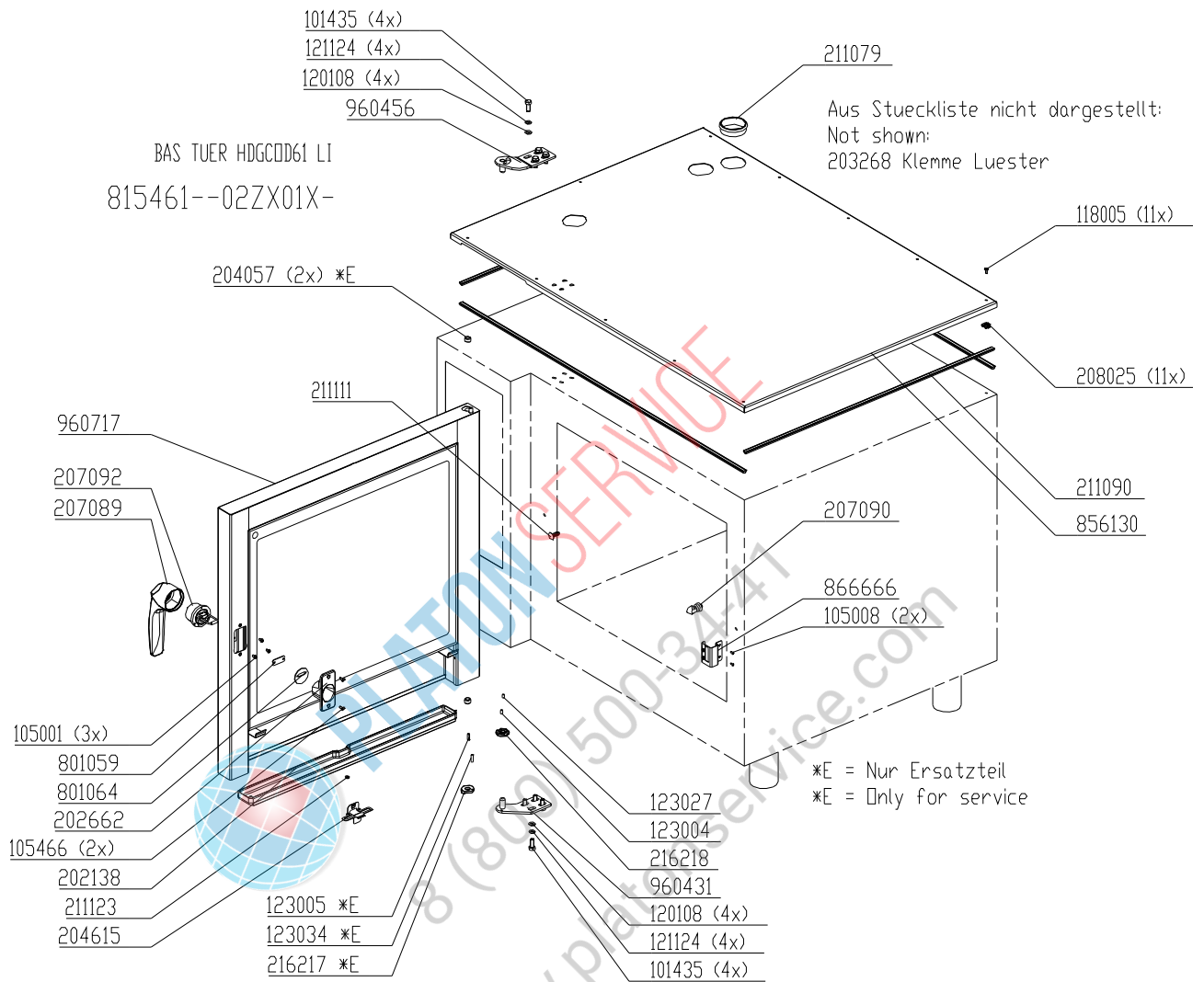
## Chassis door area HD10.x, left hand hinged (Electric)



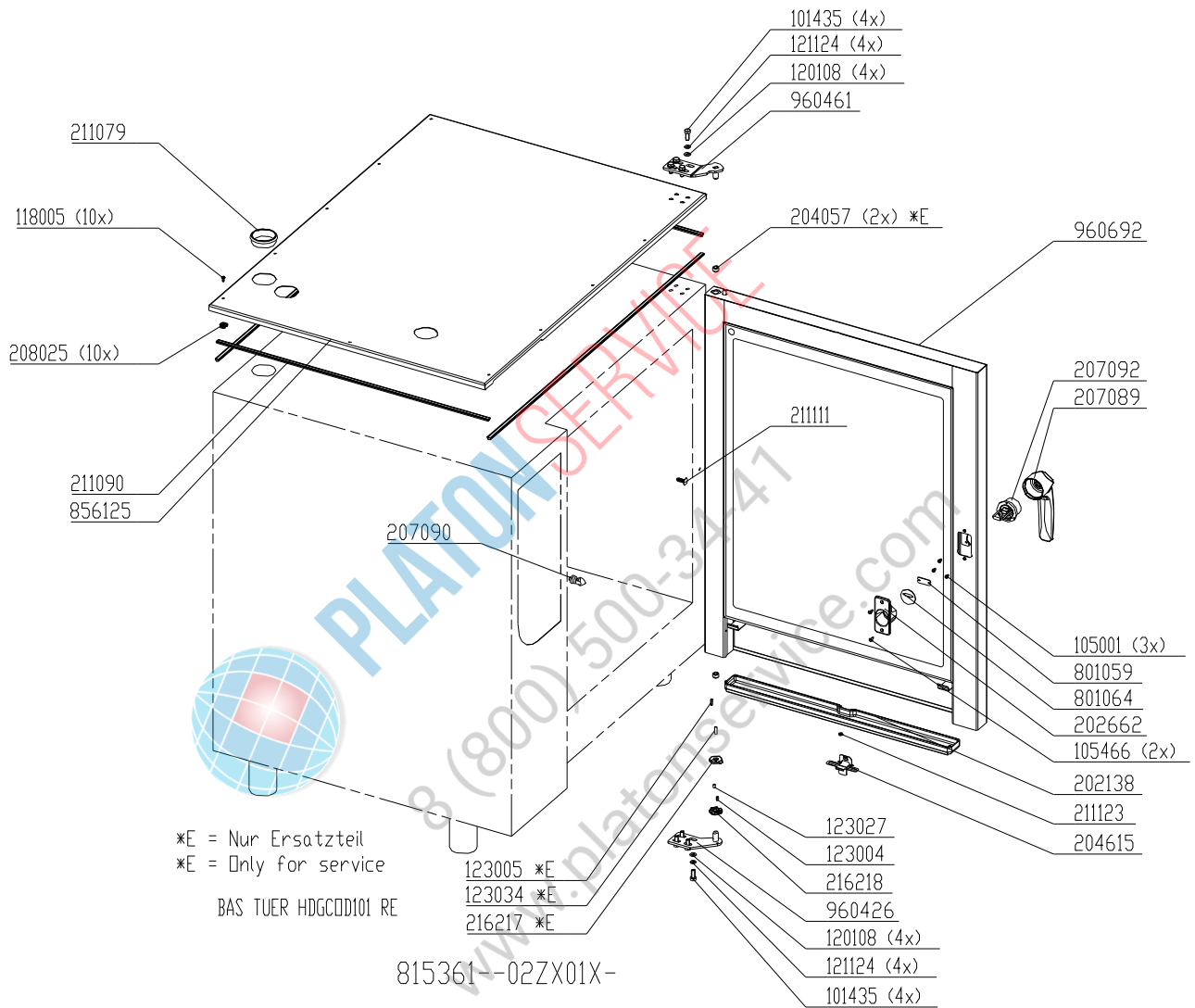
## Chassis door area HD6.x, right hand hinged (Gas)



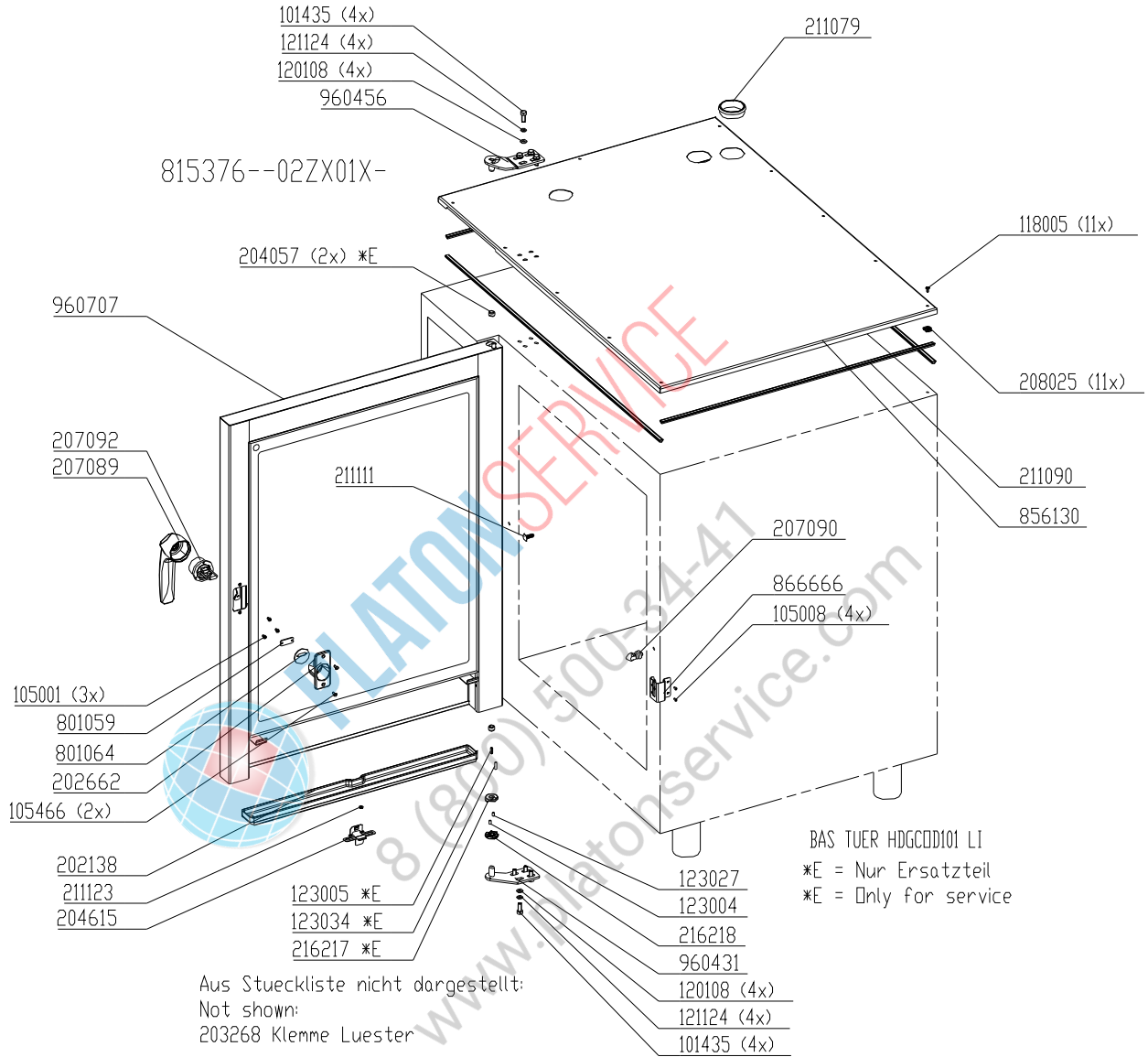
## Chassis door area HD6.x, left hand hinged (Gas)



## Chassis door area HD10.x, right hand hinged (Gas)



### Chassis door area HD10.x, left hand hinged (Gas)



## Exploded drawings 20.x

Electric & Gas



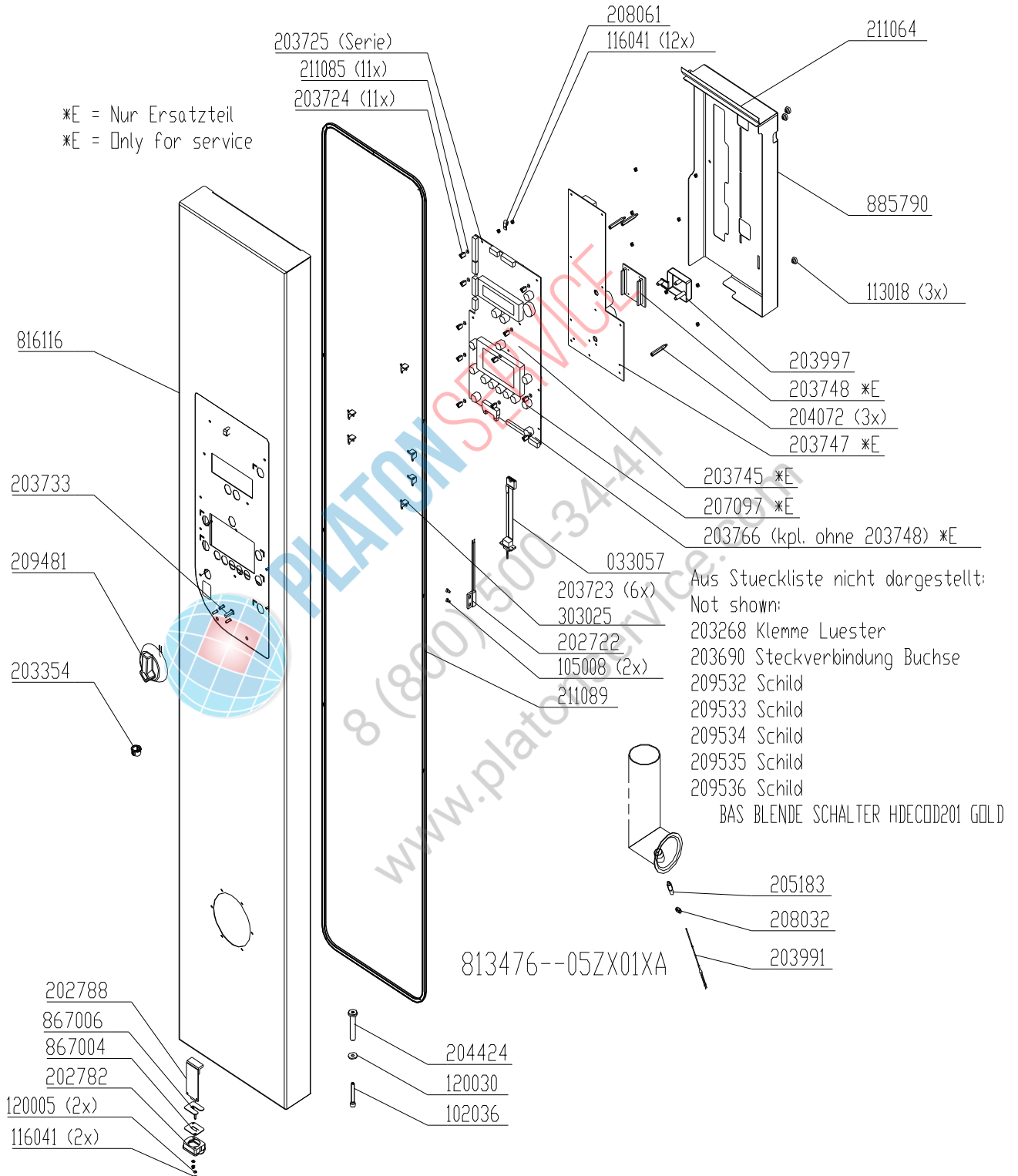
**PLATON SERVICE**

8 (800) 500-34-41

[www.platonservice.com](http://www.platonservice.com)

## Front panel HD20.x Gold

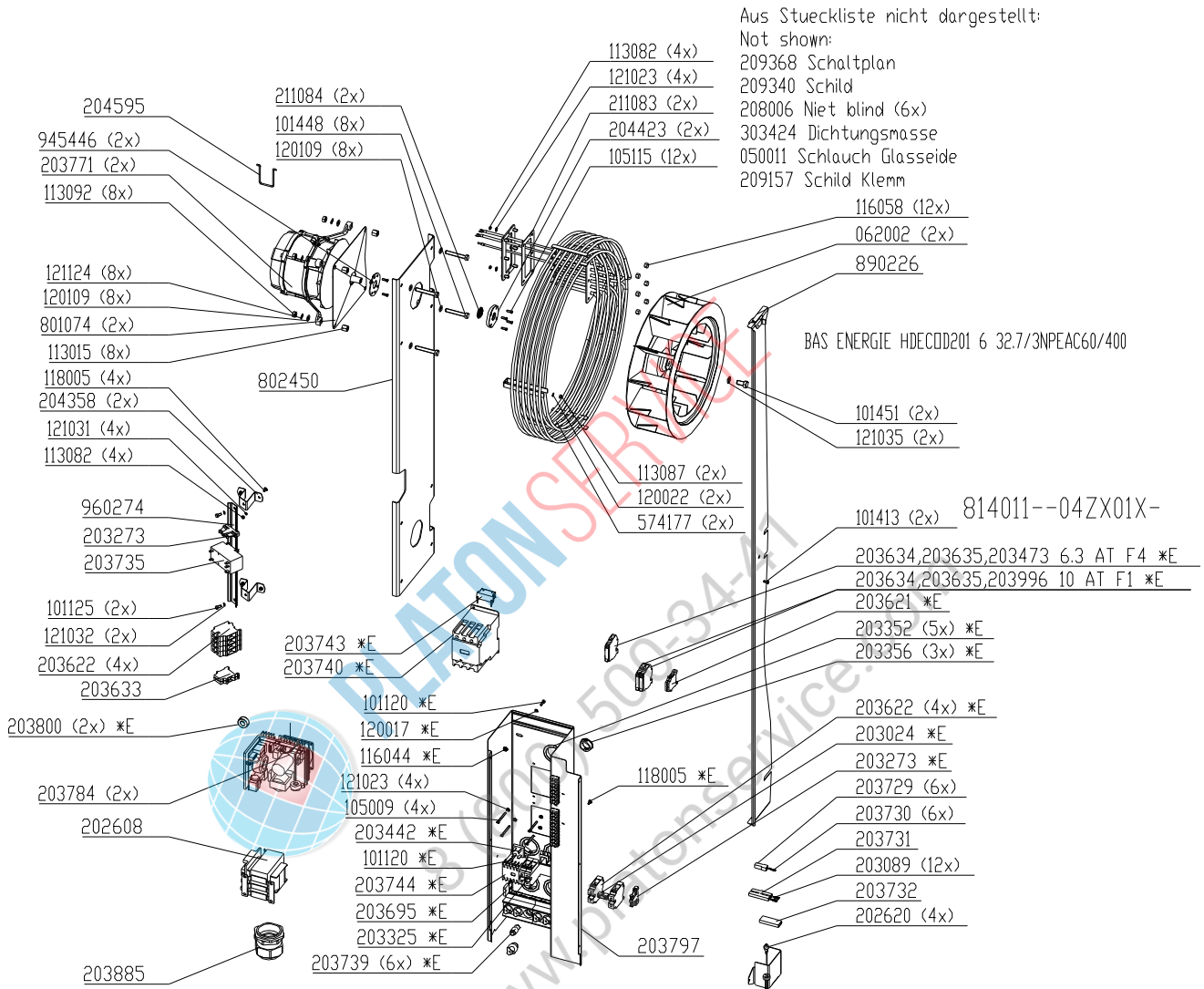
Valid from S/N 09021472 (Juliy2009) with USB port



Until S/N 09021471 with serial port #033023 instead of USB port

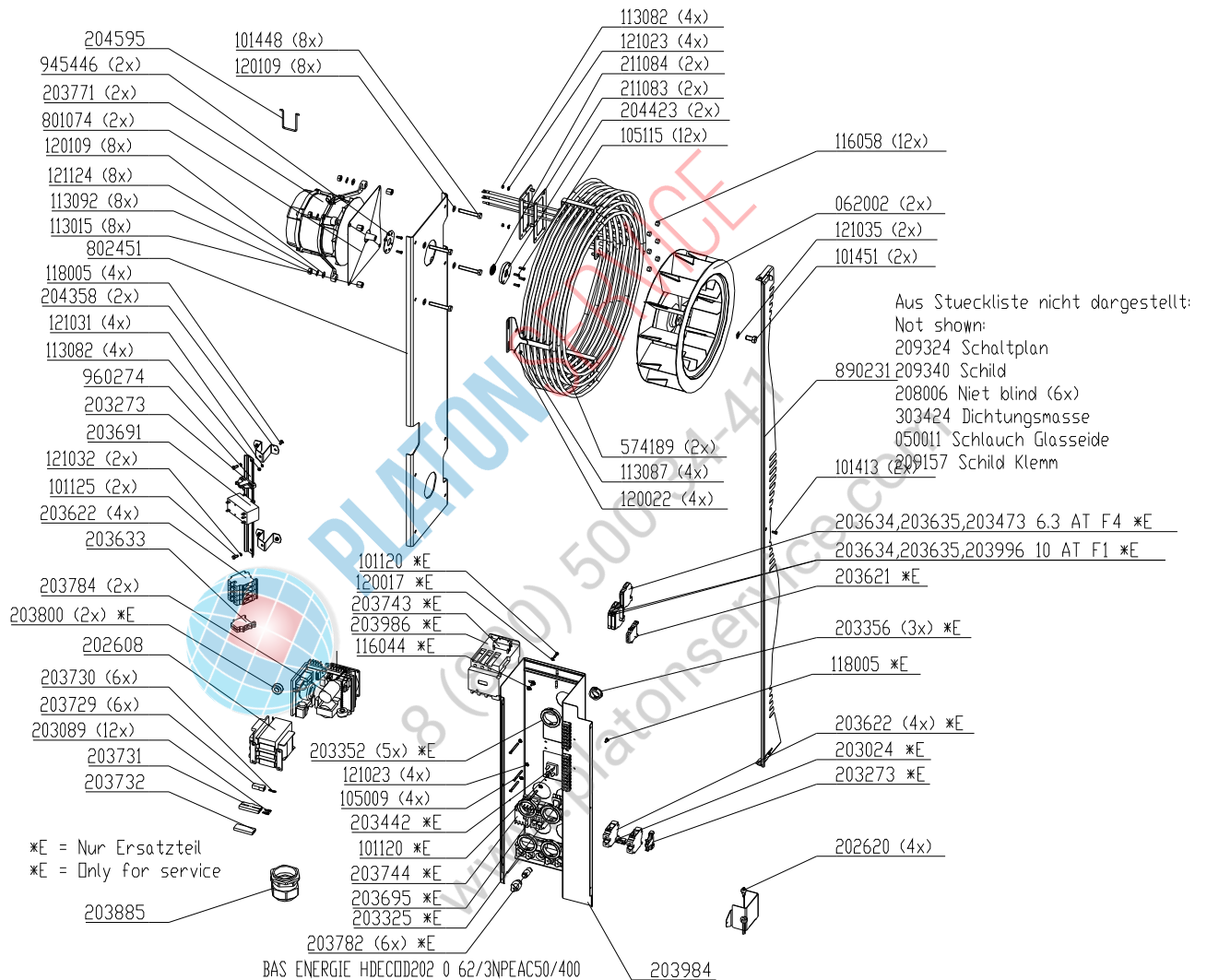


## Electric assembly 3NPEAC 400V HD20.1



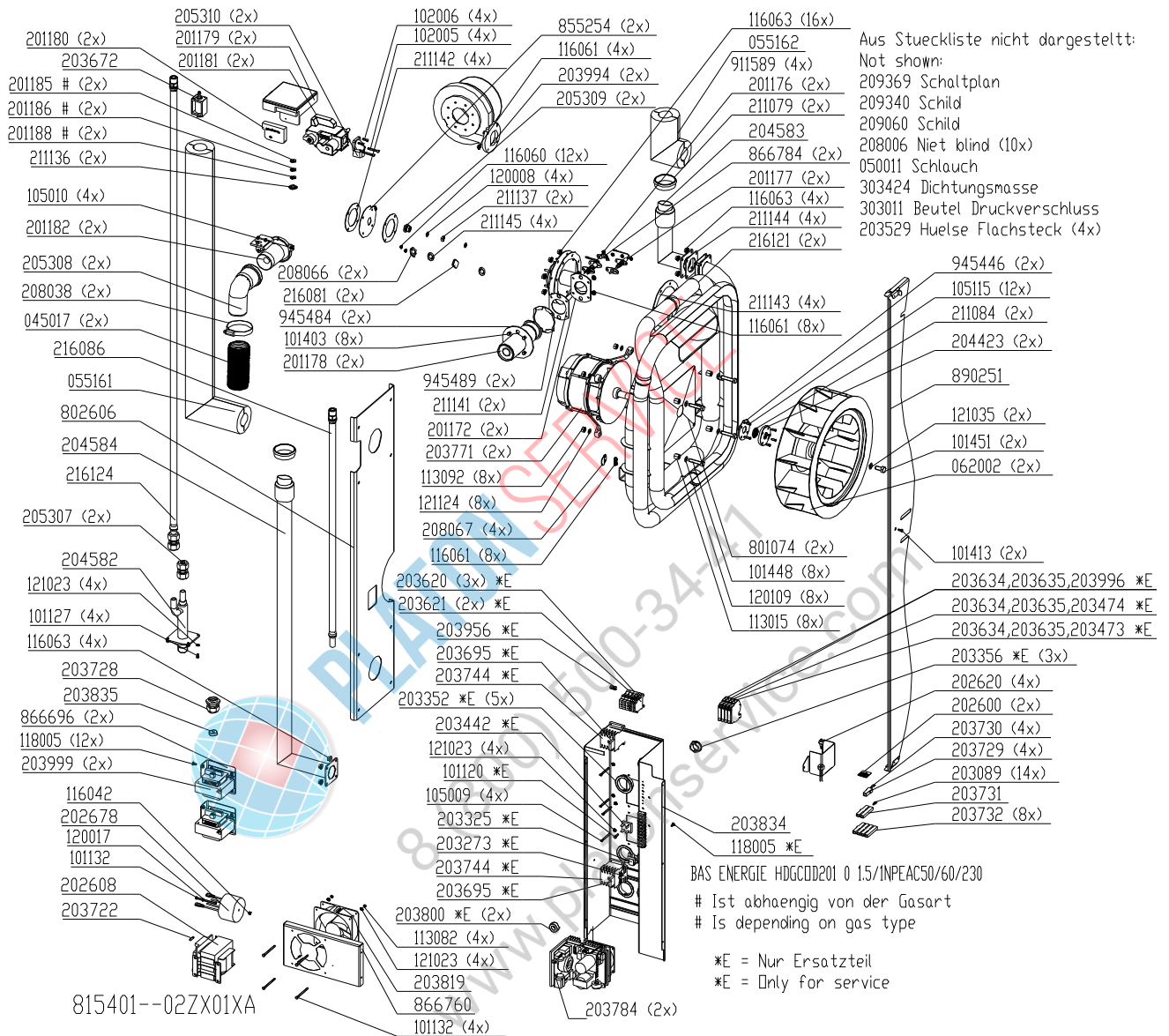
Bis (until) S/N 08022075 (August2008) Transformator (transformer) #203818  
Ab (from) S/N 11212250 (October 2011): #945446 → #945661, #204423 → 204681,  
#202620 → #203679

## Electric assembly 3NPEAC 400V HD20.2



Bis (until) S/N 08022075 (August2008) Transformator (transformer) #203818  
Ab (from) S/N 11212250 (October 2011): #945446 → #945661, #204423 → 204681,  
#202620 → #203679

## Gas assembly HD20.1



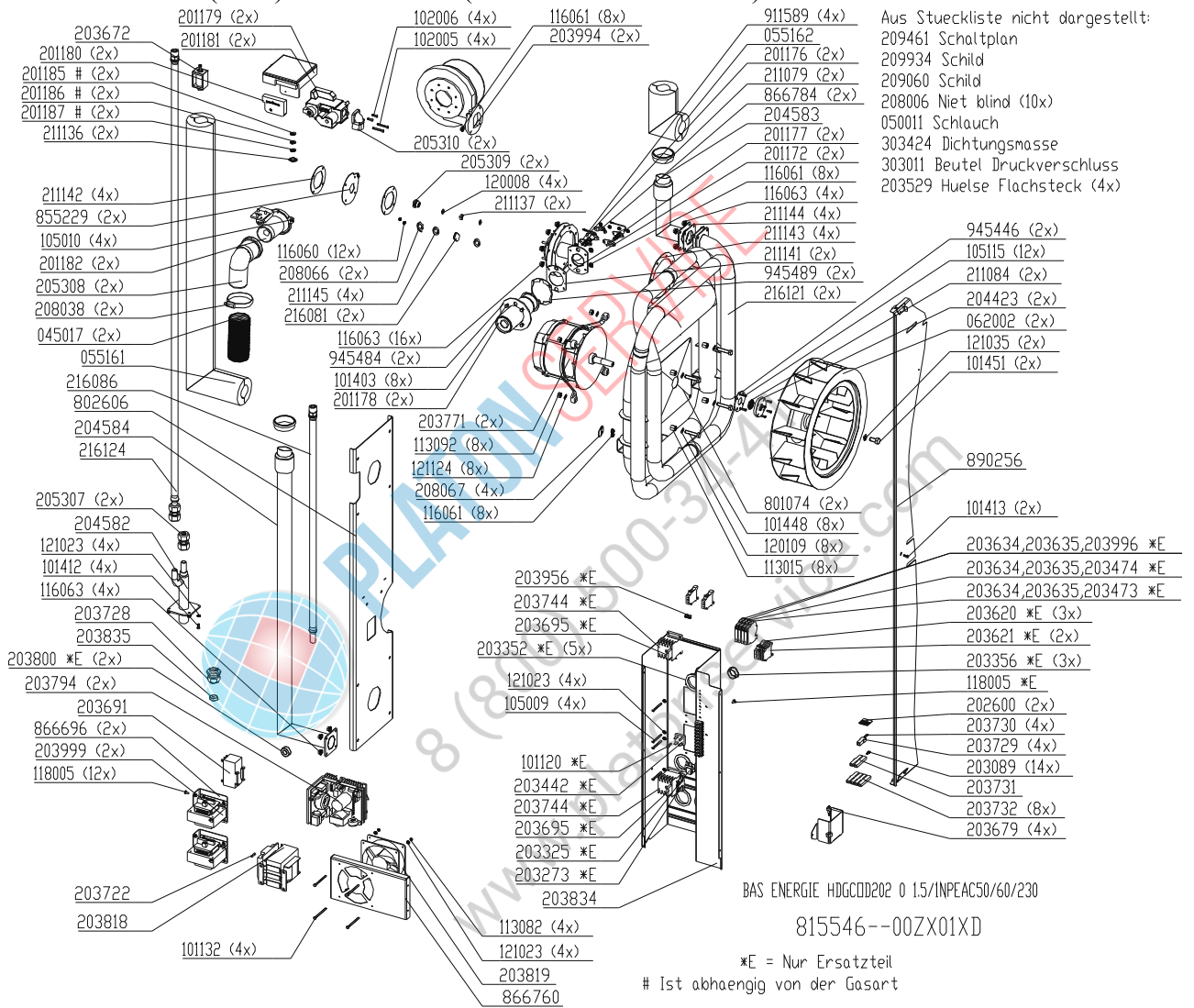
Bis (until) S/N 08022075 (August2008) Transformator (transformer) #203818

Bis (until) S/N 09020157: #216085 ersetzt durch (replaced by) #216121 & # 855254. Es müssen beide Teile ersetzt werden (Both parts must be replaced)!

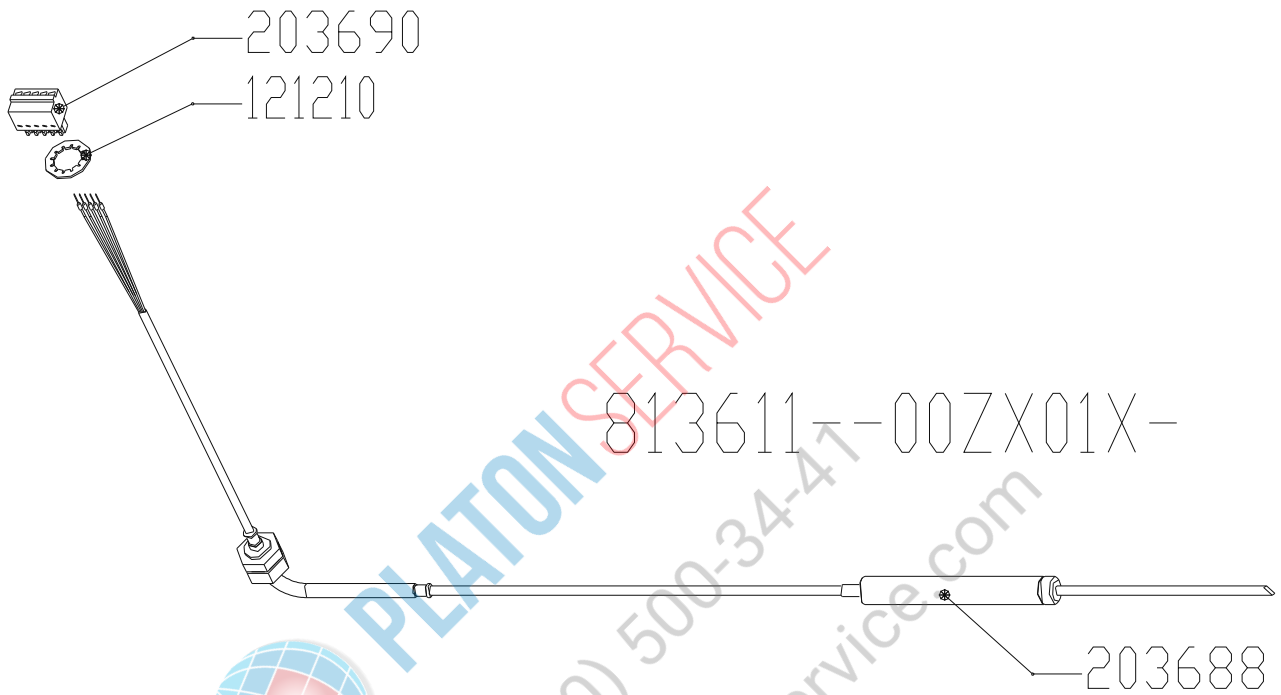
Ab (from) S/N 11212226 (Oktober / October 2011): #202620 → #203679

## Gas assembly HD20.2

Bis (until) S/N 08022075 (August2008) Transformator (transformer) #203818  
Ab (from) S/N 11212226 (Oktober / October 2011): #202620 → #203679



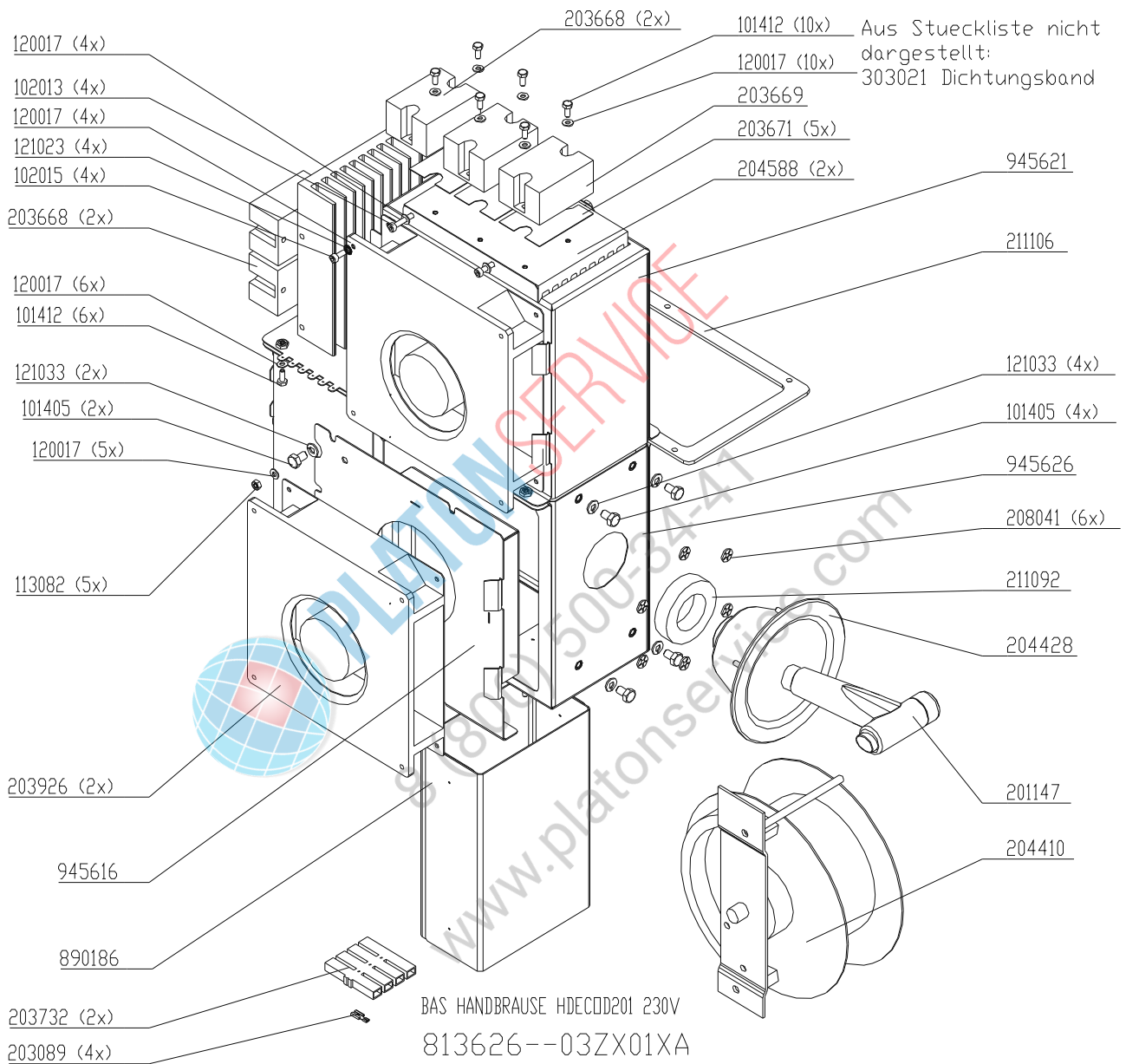
### Core temperature probe HD20.x



BAS FUEHLER HDECOD201 GOLD

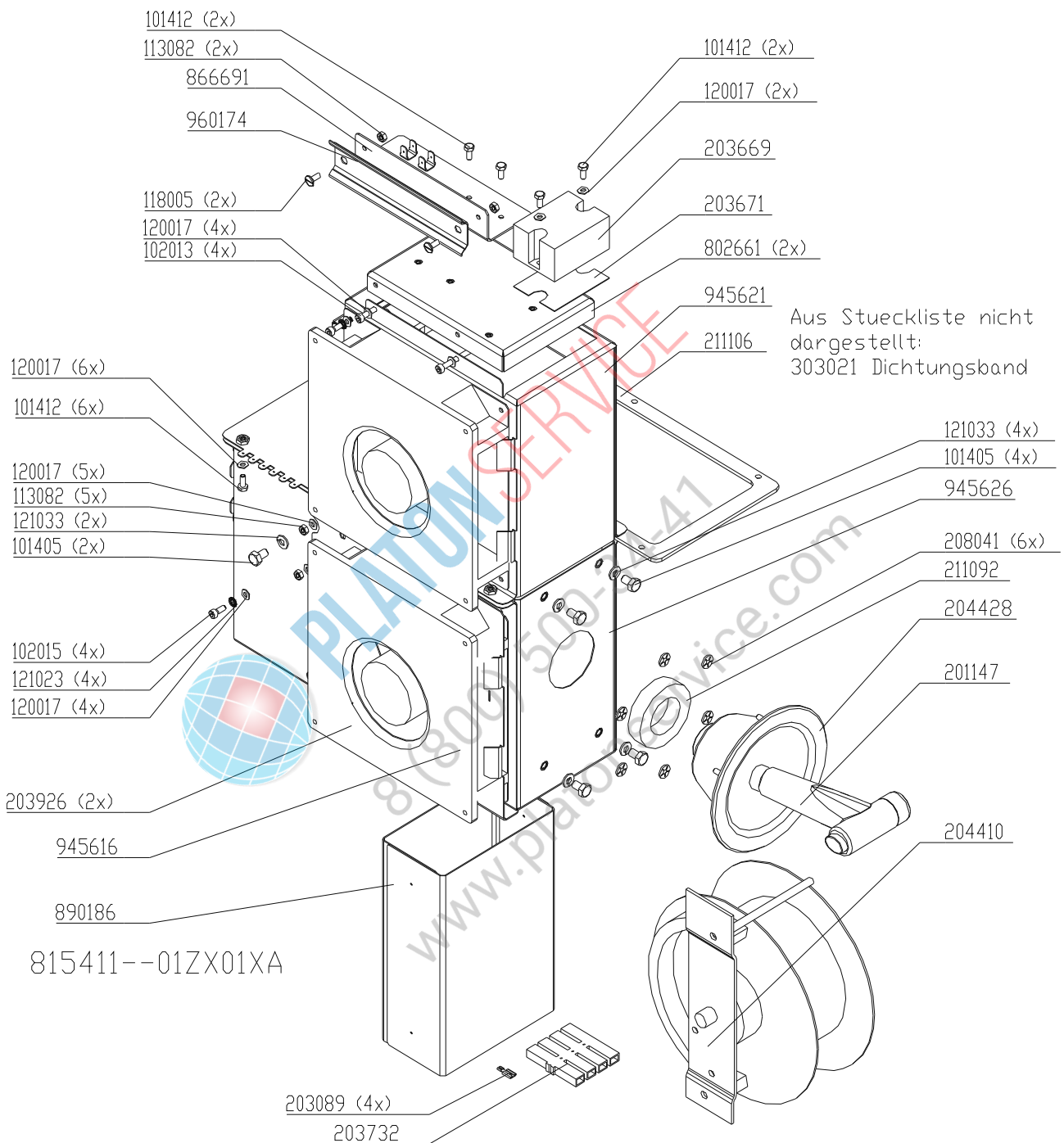
PLATON SERVICE  
8 (800) 500-34-41  
www.platonservice.com

## Tube carrier box & handshower HD20.x (Electric)



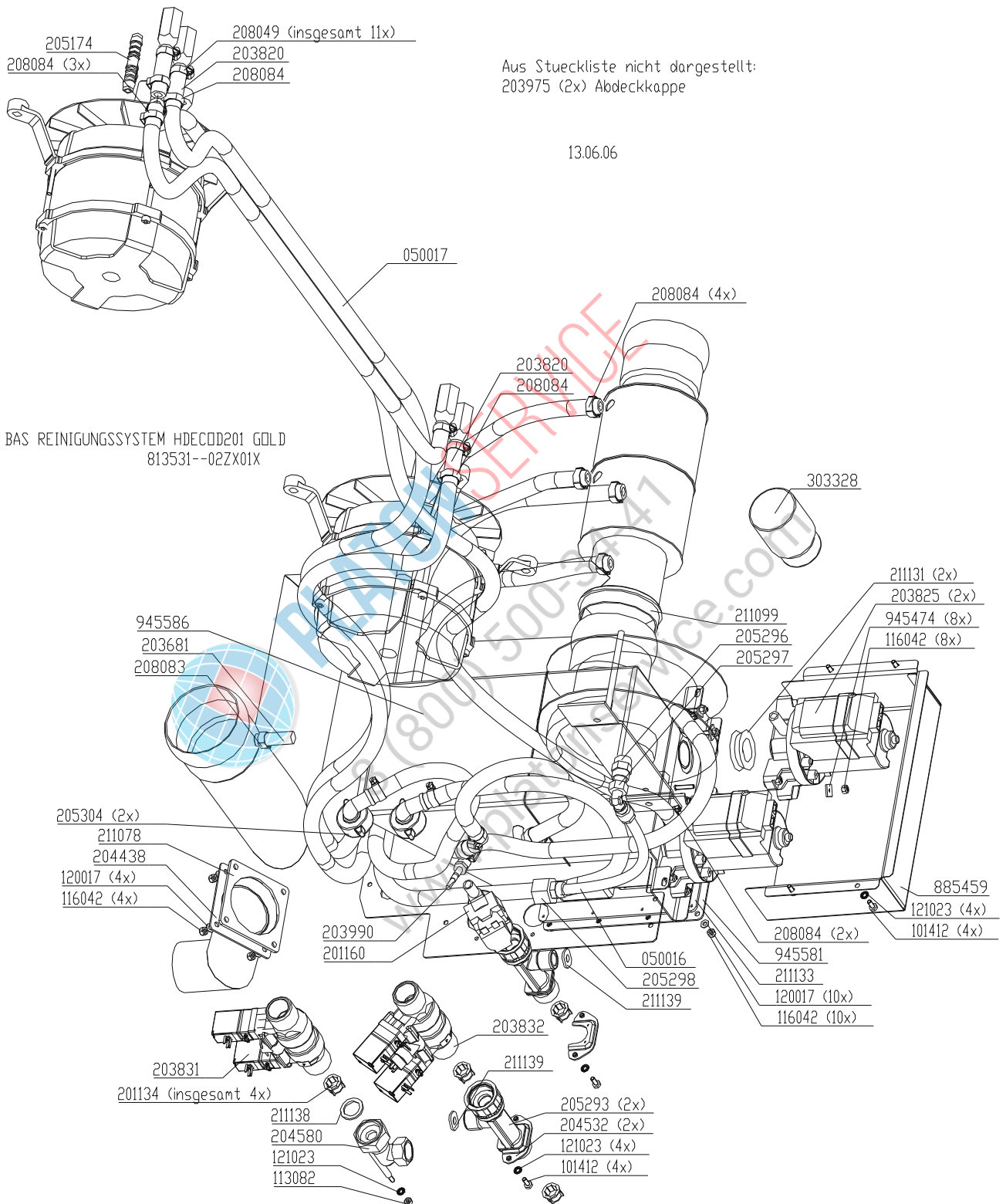


## Tube carrier box & handshower HD20.x Gas

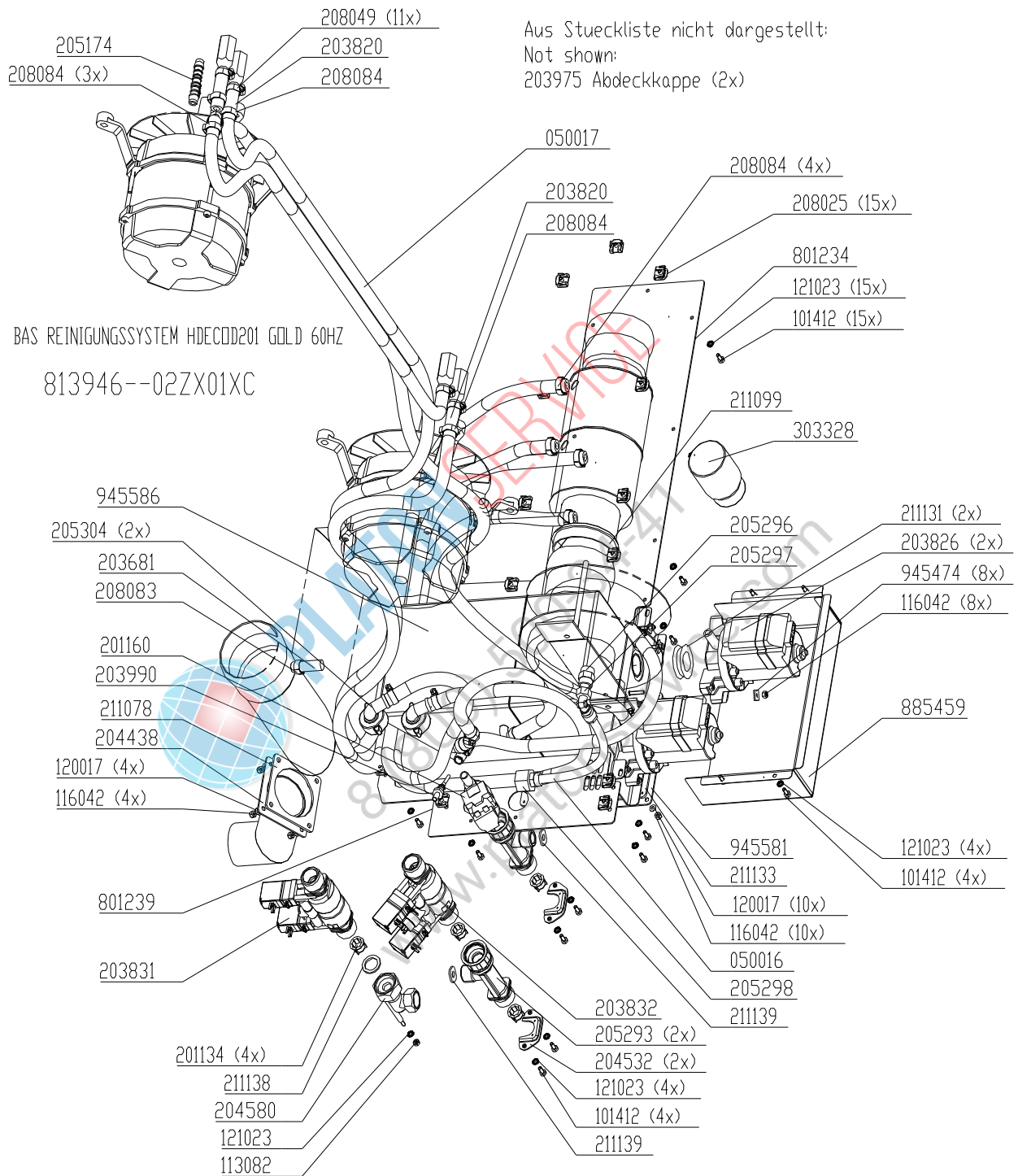




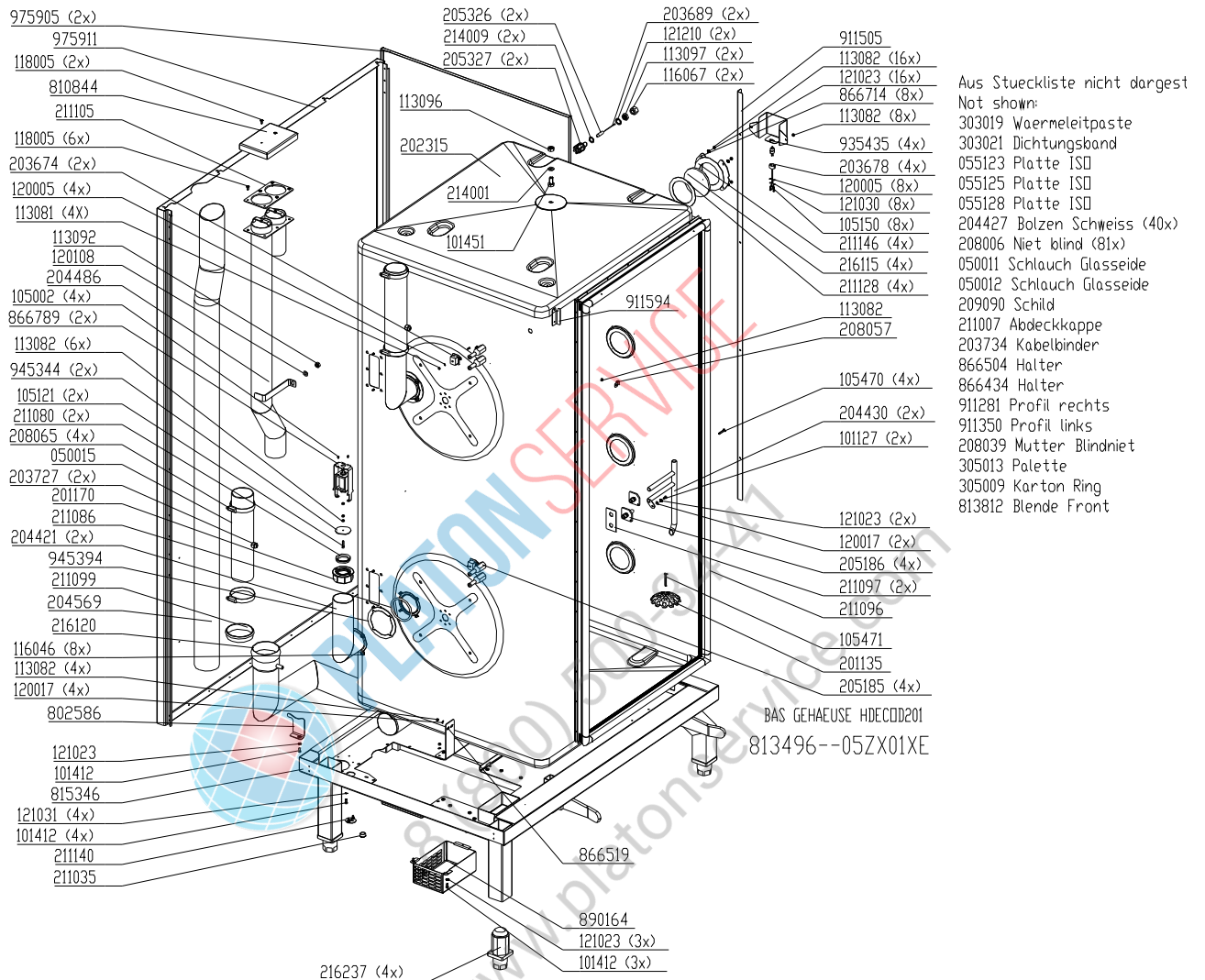
## Water assembly 50Hz HD20.x



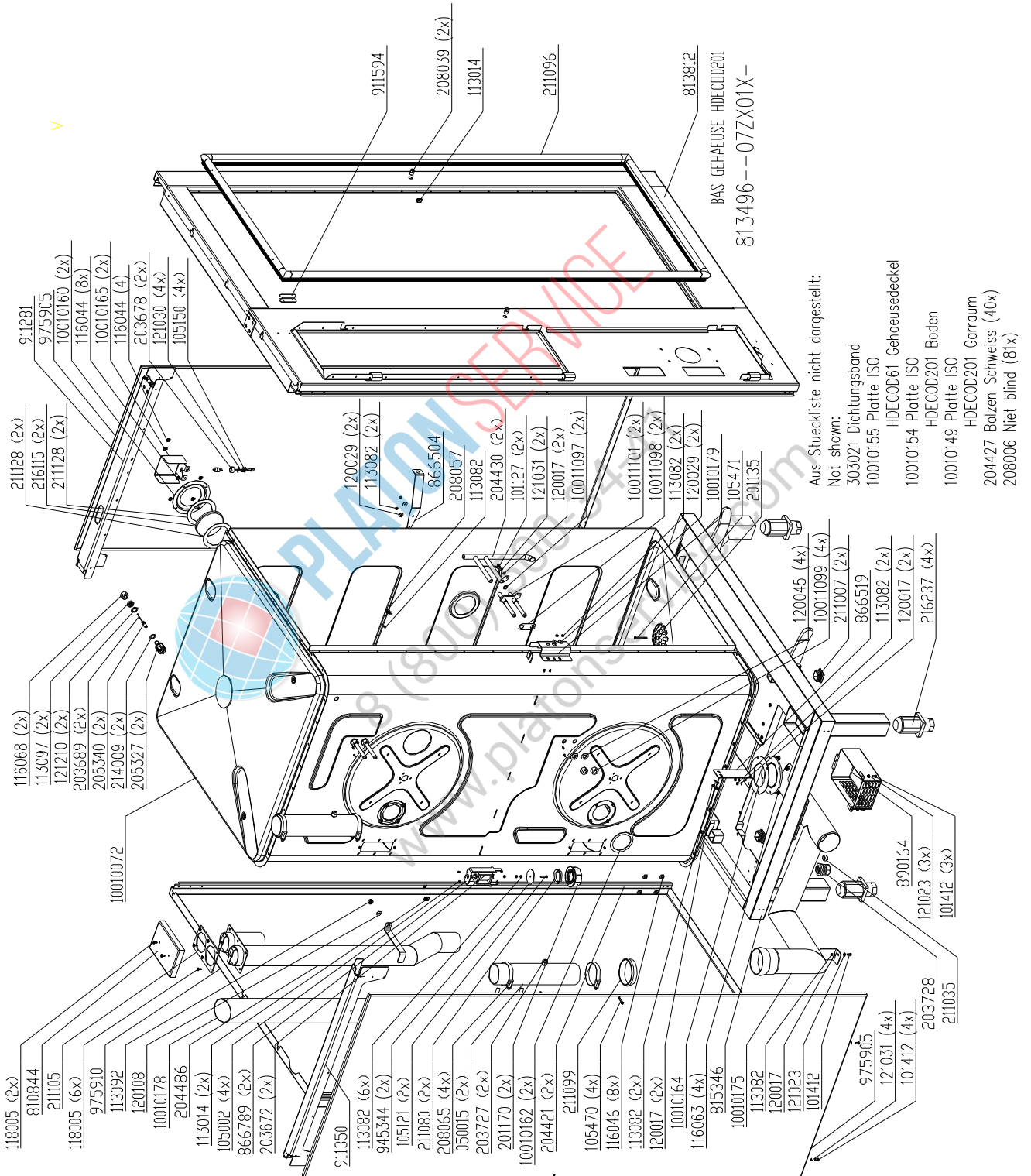
## Water assembly 60Hz HD20.x



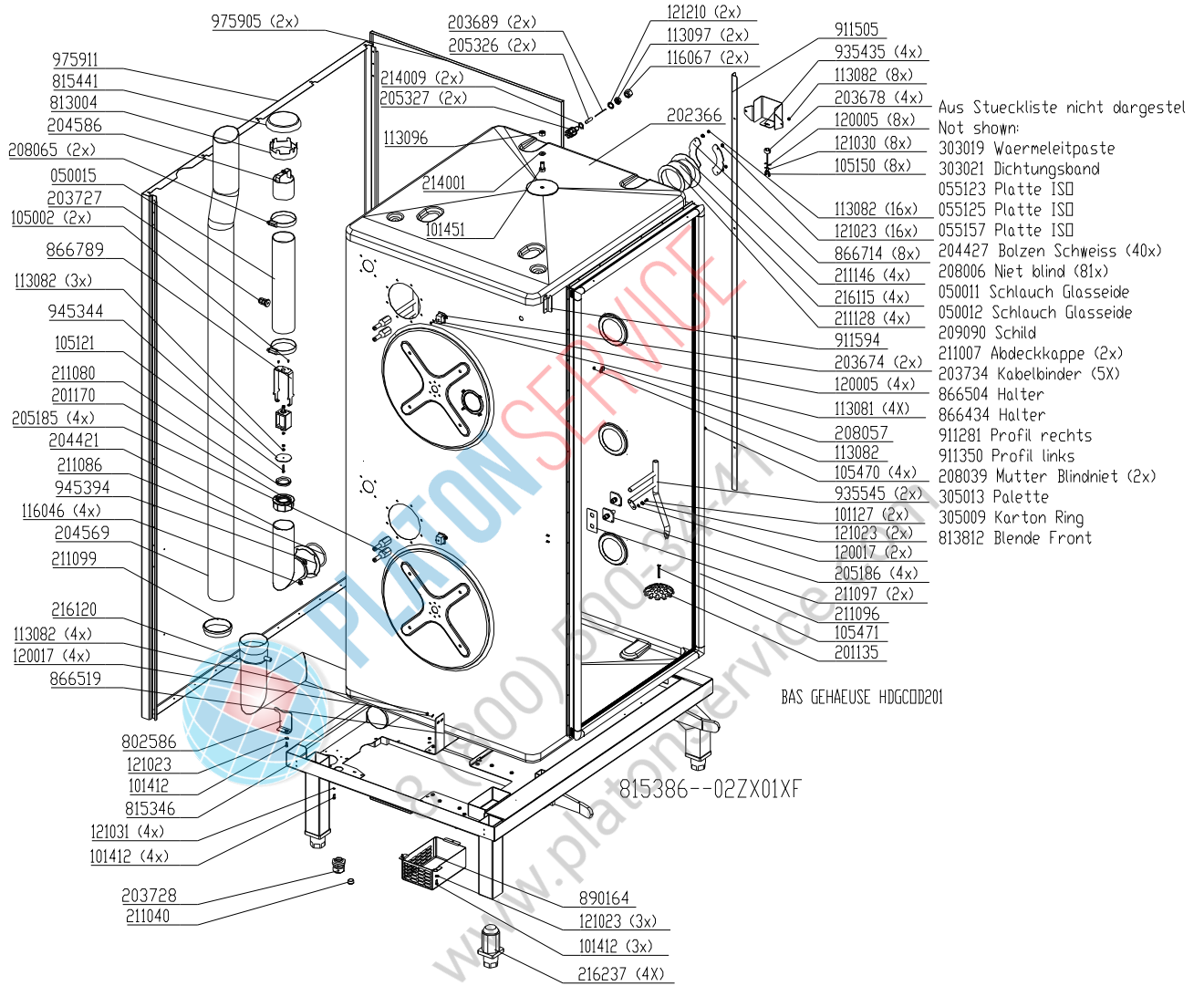
## Chassis HD20.x (Electric) Valid until S/N 11212249 (October 2011)



**Chassis HD20.x (Electric)** Valid from S/N 11212250 (October 2011)

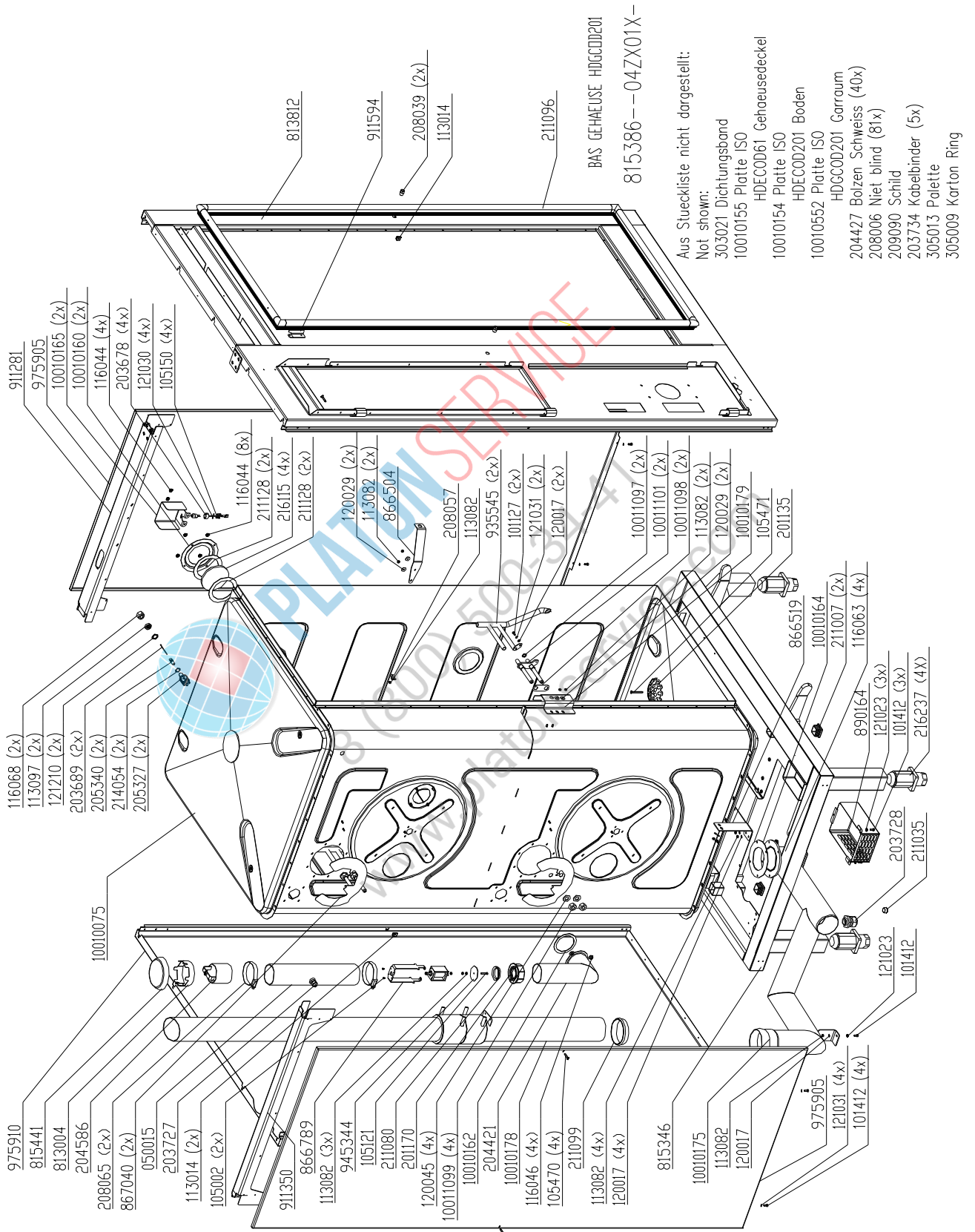


**Chassis HD20.x (Gas)** Valid until S/N 11212225 (October 2011)

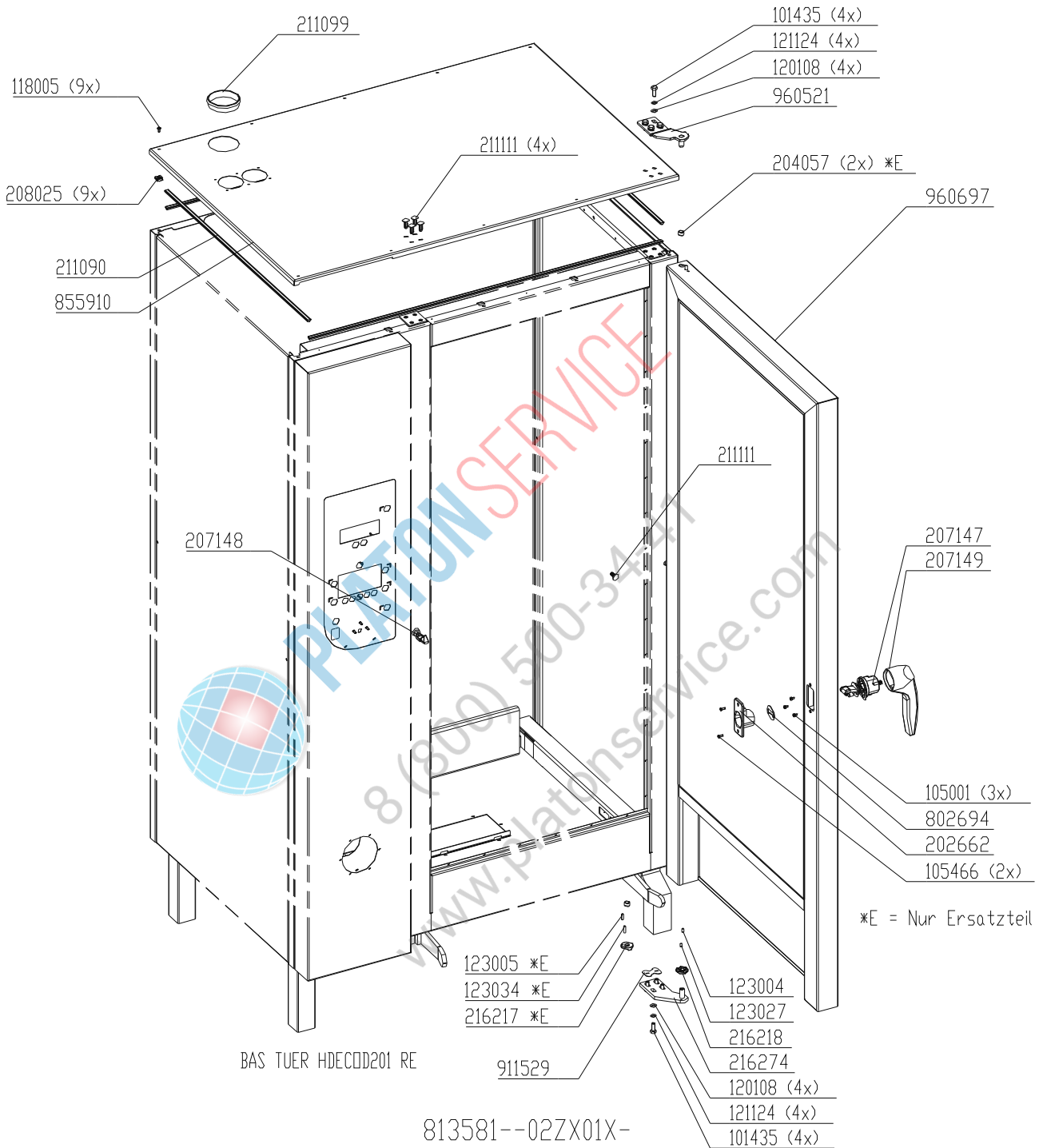




**Chassis HD20.x (Gas)** Valid from S/N 11212226 (October 2011)



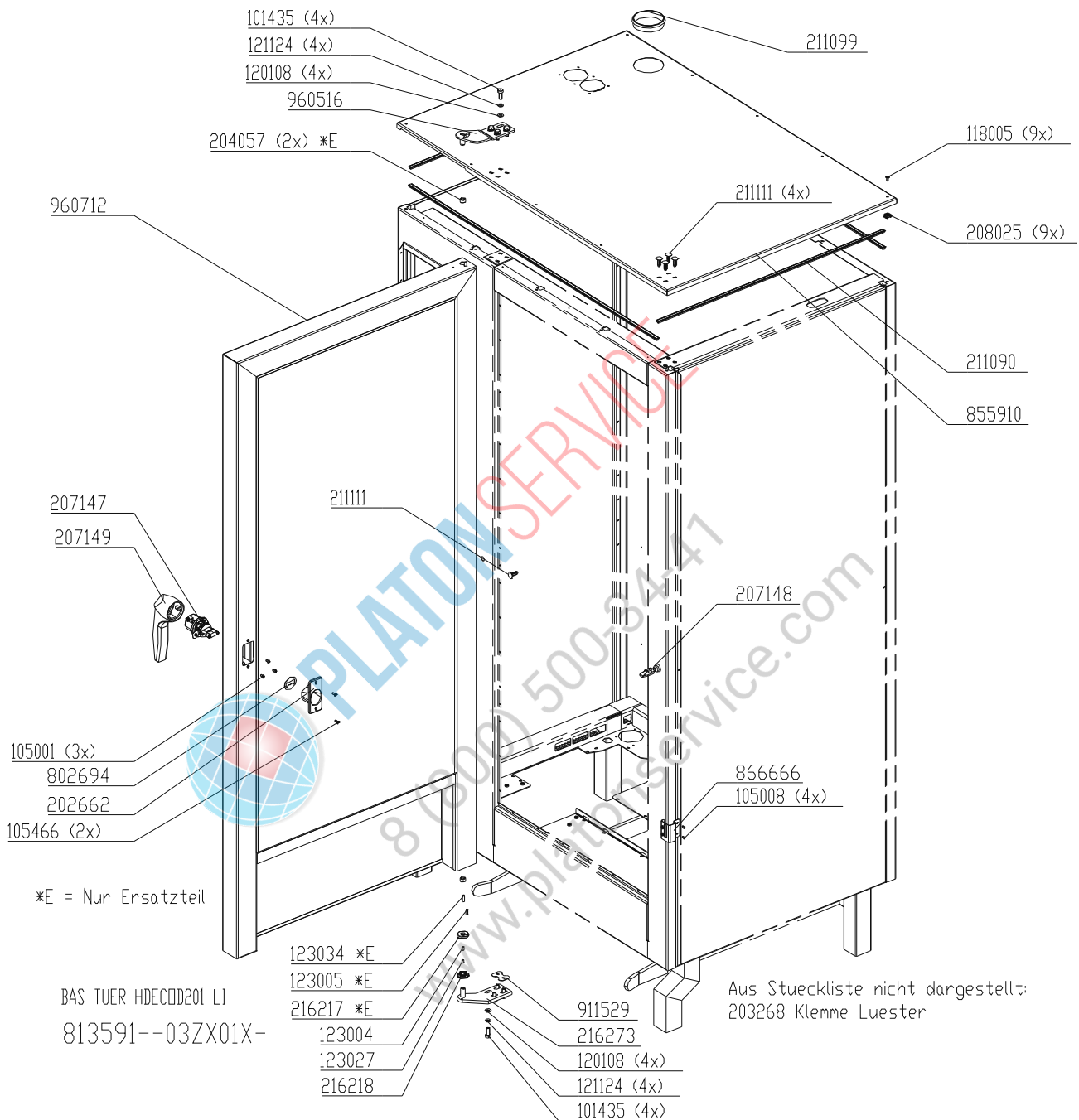
### Chassis door area HD20.x, right hand hinged (Electric)



Until S/N 09021515: Profile door gasket #211104 (glued with Pactan)  
From S/N 09021516: Pluggable profile door gasket #211171

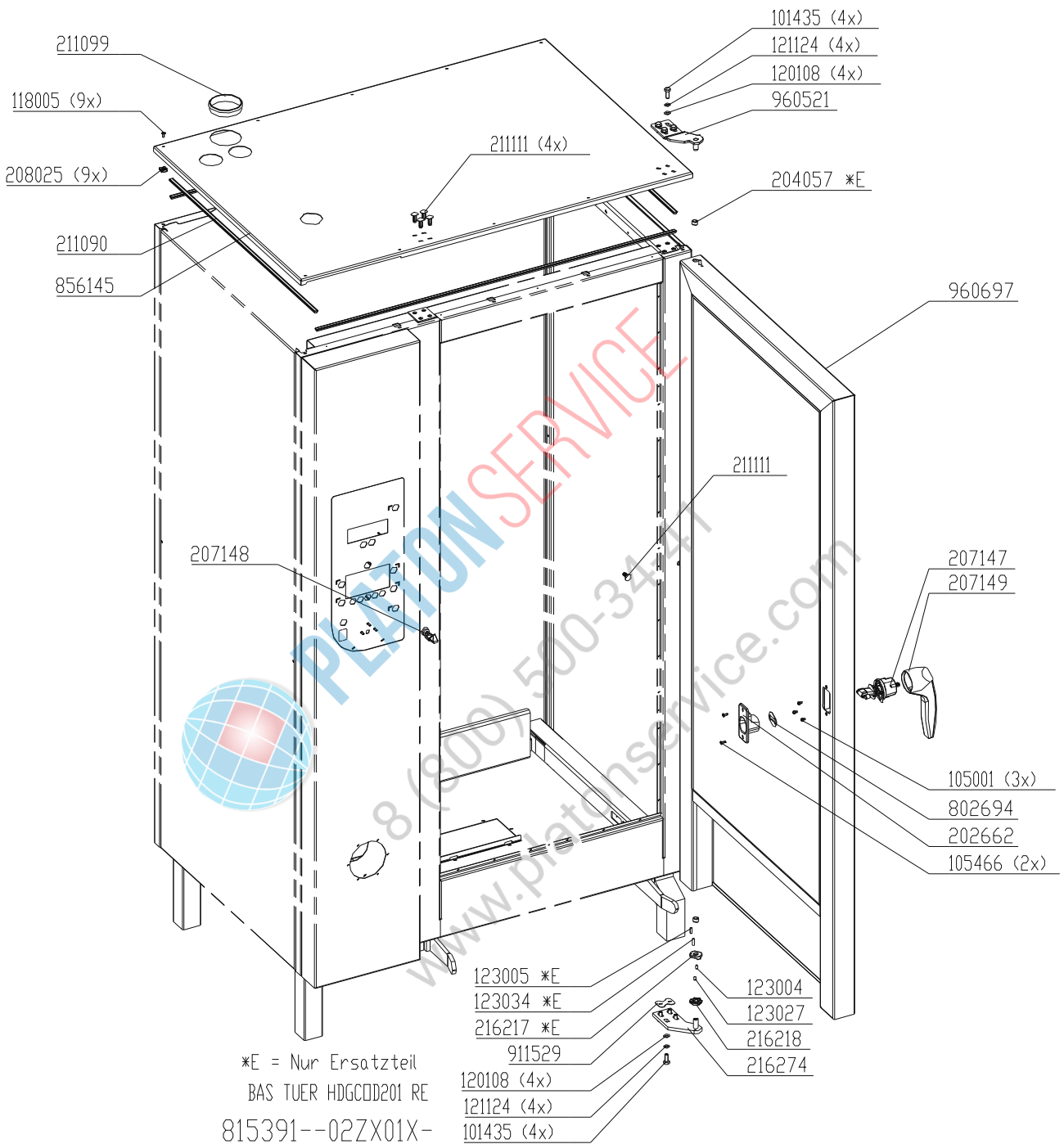


### Chassis door area HD20.x, left hand hinged (Electric)



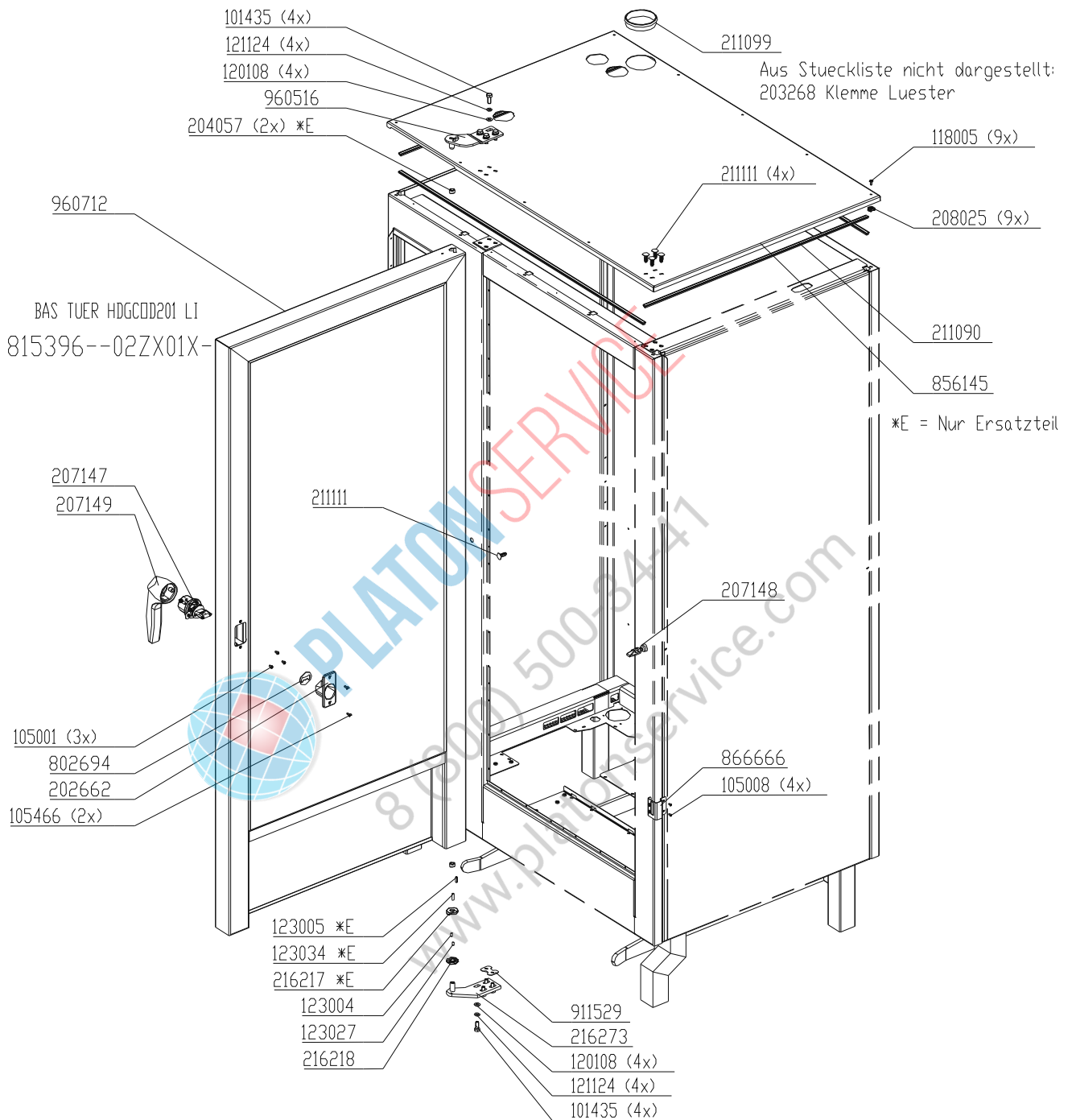
Until S/N 09021515: Profile door gasket #211104 (glued with Pactan)  
From S/N 09021516: Pluggable profile door gasket #211171

### Chassis door area HD20.x, right hand hinged (Gas)



Until S/N 09021515: Profile door gasket #211104 (glued with Pactan)  
From S/N 09021516: Pluggable profile door gasket #211171

## Chassis door area HD20.x, left hand hinged (Gas)



Until S/N 09021515: Profile door gasket #211104 (glued with Pactan)  
From S/N 09021516: Pluggable profile door gasket #211171



MKN Maschinenfabrik  
Kurt Neubauer GmbH & Co  
Halberstädter Straße  
D-38300 Wolfenbüttel,  
Germany  
Tel: +49 (0) 53 31/ 89-0  
Fax: +49 (0) 53 31/ 89-280